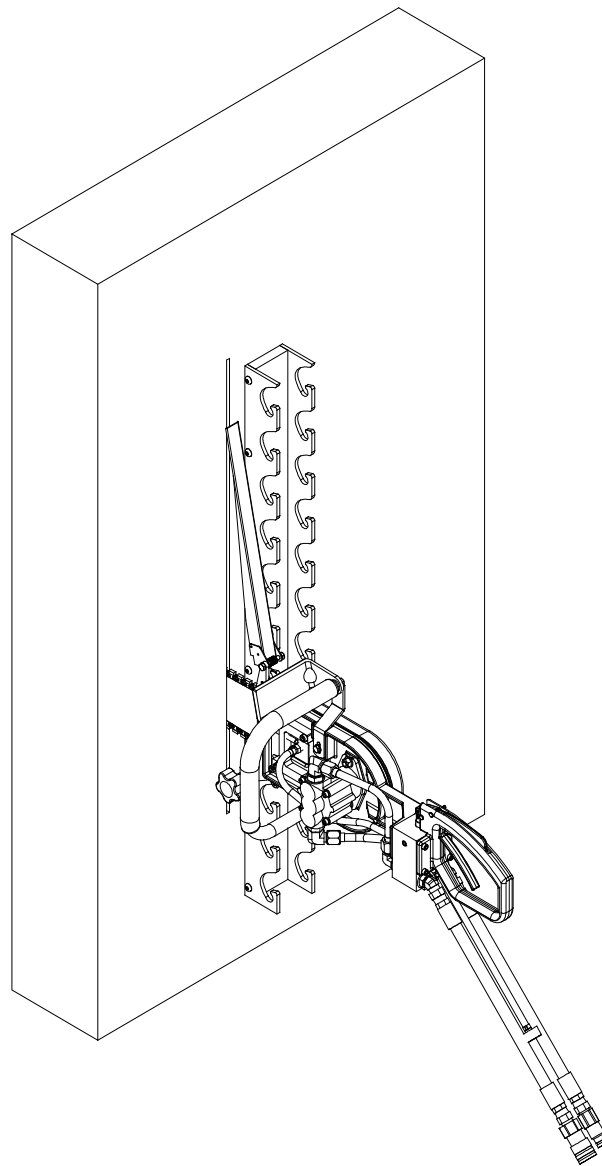




C150 CAST SPEEDHOOK INSTRUCTIONS



REIMANN & GEORGER CORPORATION
CONSTRUCTION PRODUCTS
P/N 6122058

BUFFALO, NY
3/25/15

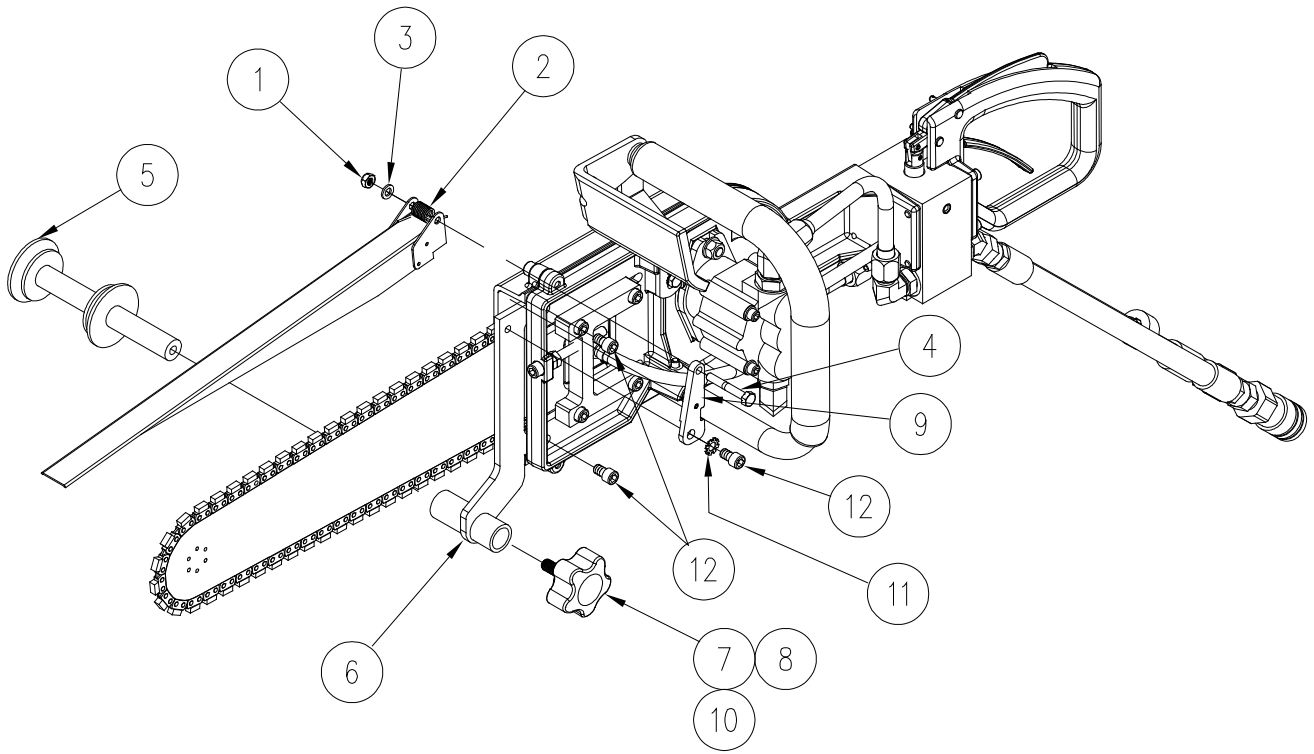


Figure 2-3
Speedhook Assembly

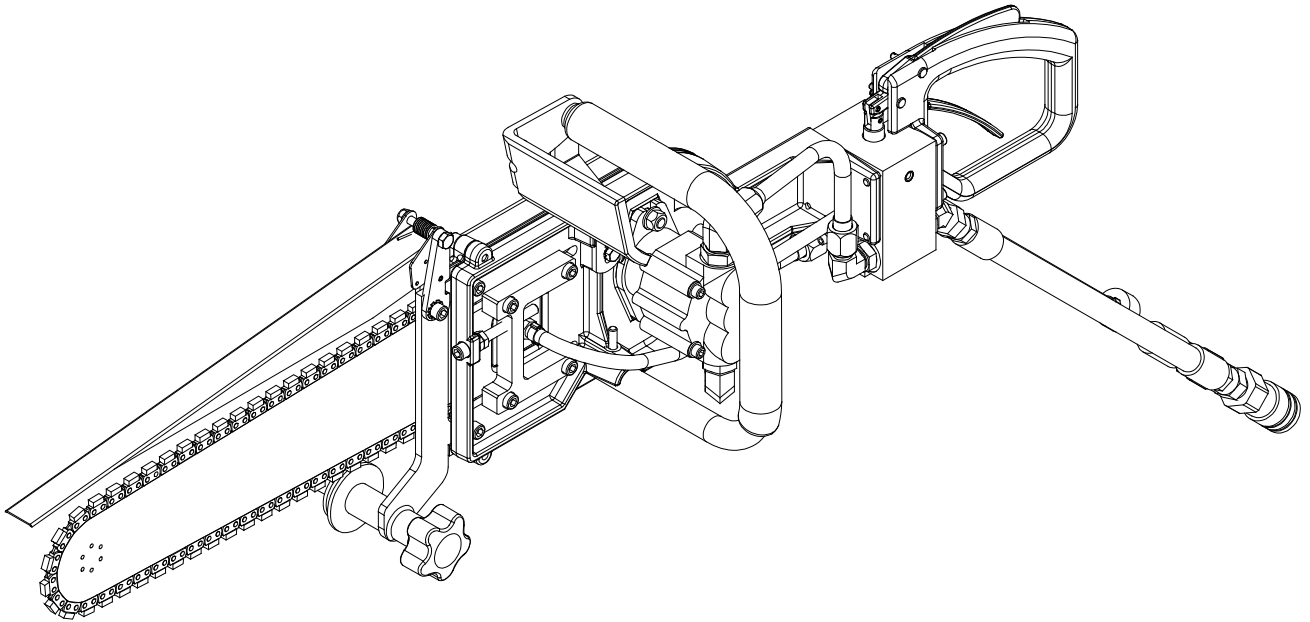


Figure 2-4
Speedhook Assembly

5 PARTS LIST

Each item number on this parts list can be matched with the item number shown on the Figure 5-1 assembly drawing.

Item Number	Part Number	Quantity	Description
1	5806366	1	NUT HEX TOPLOCK 1/4-20 CZP
2	1970551	1	SPLASH GUARD
3	5806393	1	WASHER FLAT SAE 1/4 CZP
4	5806210	1	HHCS 1/4-20 X 1-3/4 CZP
5	1970550	1	AXLE
6	1900725	1	MOUNTING BRACKET
7	5806401	1	WASHER
8	5806402	1	WASHER SPLIT LOCK
9	1970555	1	GUARD BRACKET
10	1970559	1	KNOB
11	5806402	1	WASHER FLAT EXT TOOTH 5/16 CZP
12	5806307	3	SHCS 5/16-18 X 1/2
13	1970554	1	42" RAIL

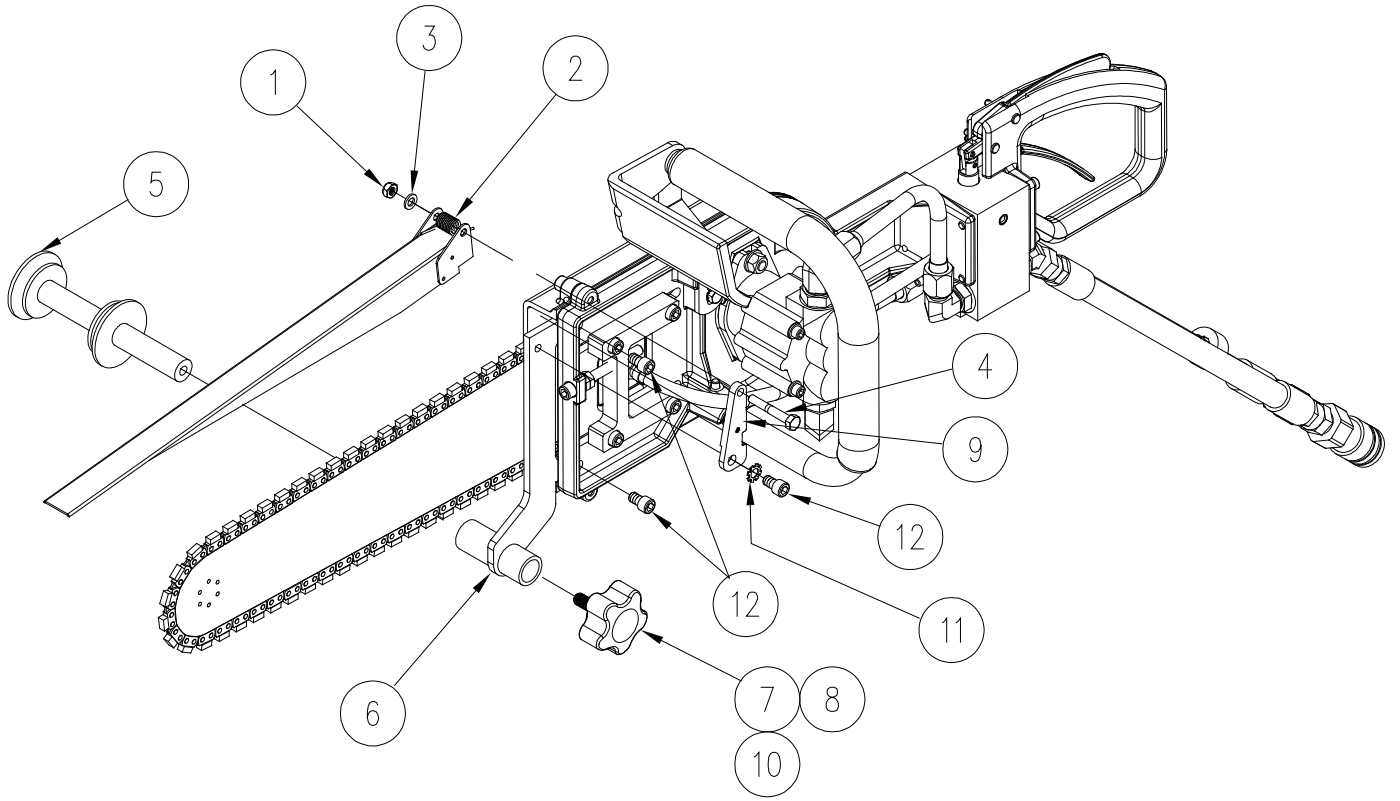


Figure 5-1
C150 Speedhook Assembly Drawing