



PRO DRIVE E, G, & HG INSTRUCTIONS

0402005, 0402006, 0402007

REIMANN & GEORGER CORPORATION
HOISTING PRODUCTS
P/N 6102076

BUFFALO, NY
10/24/17

8 PARTS LISTS

Each item number on the following parts lists can be matched with the item number shown on the corresponding assembly drawing as indicated below.

8.1 PRO DRIVE G AND HG GAS MODELS

Refer to Figure 8-1.

Item Number	Part Number	Quantity	Description
1	0401309	1	OPERATOR HANDLE
2	5800138	2	CLEVIS PIN
3	0402270	1	LEVER W/ MTG HDWR & CABLES
4	7304300	1	WIRE ROPE W/ FITTINGS
5	0402290	1	OPERATOR YOKE W/ HARDWARE
6	0401331	2	BRAKE/CLUTCH CABLE W/ HARDWARE
7	0402295	1	DRUM GUARD W/ DECAL & PLUGS
8	5803512	2	GUARD PLUG
9	0402335	1	BRAKE DIFFERENTIAL
10	5800661	1	INNER COMPRESSION SPRING
11	5803508	1	OUTER COMPRESSION SPRING
12	5100925	2	DRUM BEARING
13	0401395	1	BRAKE ROPE ASSEMBLY W/ MTG HDWR
14	0402300	1	FRAME WITH DECALS
15	5504222	1	4HP HONDA '13EPA
	5504083	1	4HP BRIGGS & STRATTON ENGINE (550) '13 EPA
	5504588	1	AIR FILTER (BRIGGS & STRATTON)
	5504508	1	AIR FILTER (HONDA)
16	0402305	1	PRO BELT POSITIONER
17	0401348	8	ENGINE / MOTOR SPACER 1/8"
18	7604130	2	WHEEL
19	0401340	1	AXLE
	5803522	2	PUSH CAP NUT
20	7300732	1	DRIVE SHEAVE
21	5803503	1	AXLE SPACER
22	0401329	1	DRIVE BELT GUIDE
23	5104350	2	BEARING
24	0401346	1	DRUM & WIRE ROPE ASSEMBLY
25	0402105	1	DRIVE BELT GUARD
26	6701307	1	DRIVE BELT
27	0402160	1	IDLER LINKAGE
28	5803506	1	IDLER LINKAGE SPRING
29	0402220	1	CROSS TIE CLAMP
-	5806207	2	CROSS TIE CLAMP HEX BOLT
-	5806366	2	CROSS TIE CLAMP LOCKNUT
30	0402225	1	CROSS TIE LOCK
40	6403928	2	INSTRUCTION TUBE END CAP
41	5456275	1	TOGGLE SWITCH (HG ONLY)

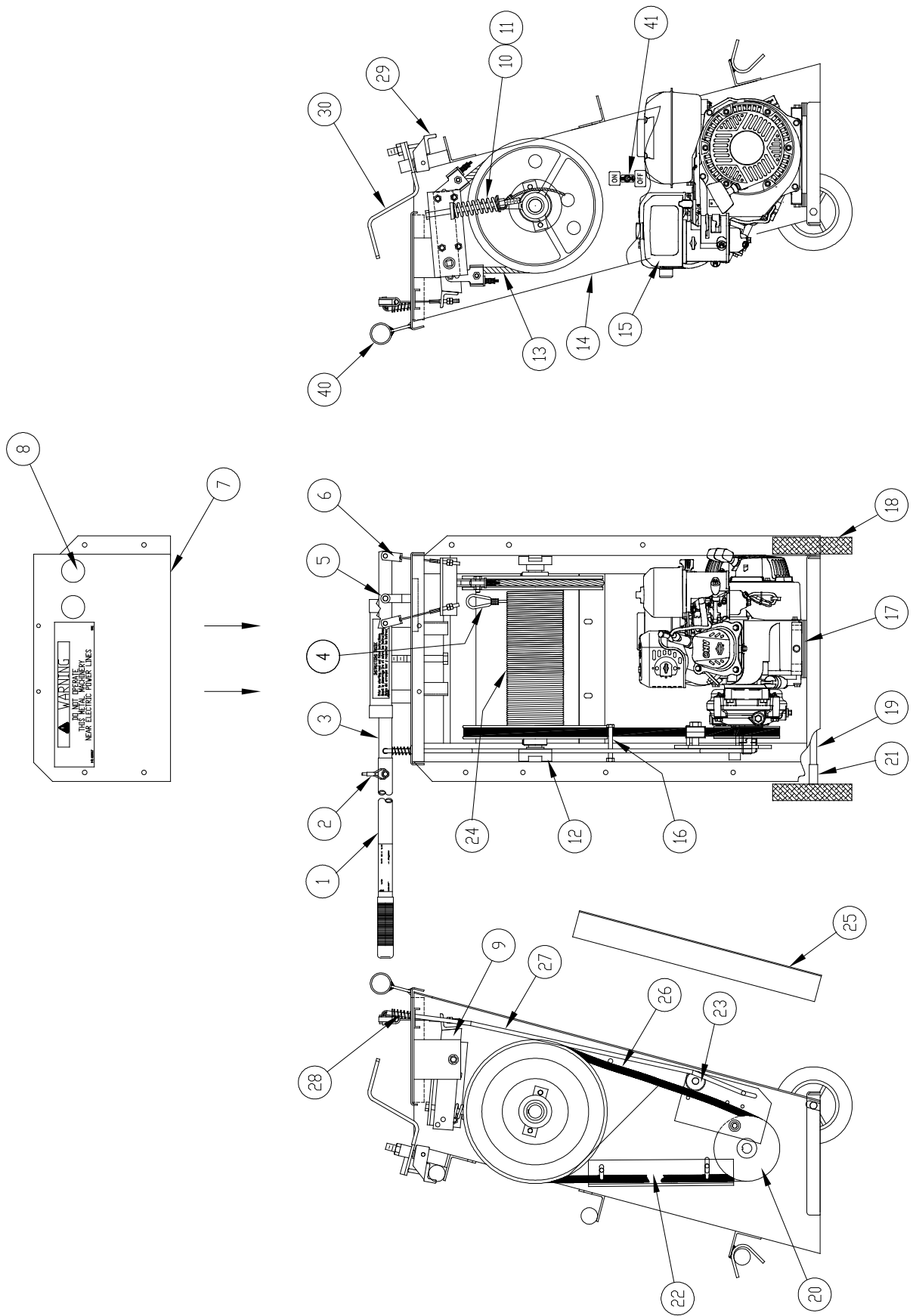


Figure 8-1.
PRO Drive Gas Assembly Drawing