



HH500 & HR500 HYDRAULIC POWER DRIVE INSTRUCTIONS

REIMANN & GEORGER CORPORATION
HOISTING PRODUCTS
P/N 6102024

BUFFALO, NY
06/24/16

7 PARTS LIST

The following parts lists and assembly drawings apply to the HH, & HR500 power drives only. Refer to the TT1000 trolley hoist manual supplied separately for proper use and assembly. Each item number on this parts list can be matched with the number shown in assembly drawing.

7.1 HOIST MOUNT GAS POWER DRIVE

Item Number	Part Number	Quantity	Description
1	0800101	1	FRAME
2	0804840	1	DRUM GUARD
3	0804849	1	WINCH DRUM ASSEMBLY
4	5100925	1	BEARING FLANGE
5	0801435	1	AIR BAFFLE
7	0804091	2	TUBE GUARD
8	0800758	1	LOWER TUBE
9	0800757	1	UPPER TUBE
10	0801440	1	RESERVOIR
11	5800869	4	RUBBER MOUNTS
13	5900918	2	HOSE 3/4" 6 INCH LONG
14	0810962	1	RAM/SINGLE ACTION
15	6900930	1	PUMP 6 GPM
16	6700905	1	PUMP COUPLING 9/16"
17	6700907	1	COUPLING INSERT
19	0804090	1	HOIST SUPPORT ARM
20	6700906	1	MOTOR COUPLING 1"
21	0804844	1	OPERATOR HANDLE KIT
22	5044795	1	HYDRAULIC VALVE & HANDLE #42
23	6004723	1	OIL FILTER ELEMENT
	6004722	1	OIL FILTER HEAD
24	6010756	1	MOTOR LOCK VALVE
25	6000759	1	ADAPTER GAUGE PORT
26	0804848	1	GUARD HYDRAULIC MOTOR
27	0804846	1	GUARD SPROCKET
29	6500761	1	HYDRAULIC MOTOR
30	1000981	1	LOCKING ARM ASSEMBLY
31	0804845	1	GUARD-LOCK ARM
32	5800961	1	LOCK ARMSRING
33	0509012	1	ENGINE 9 HP SUBARU (HR500)
33	0855369	1	ENGINE 8 HP HONDA (HH500)
34	6900454	1	PUMP BRACKET
	6901502	1	PUMP BRACKET ACCESS COVER
35	1004155	1	LOCK ARM SPRING STUD
36	6000908	1	SUCTION STRAINER
37	6000921	1	FILTER BREATHER
38	7304212	1	WIRE ROPE ASSEMBLY (200 FEET)
40	5800138	1	ROUND SPRING LOCK PIN
42	0504746	1	HOIST VALVE HANDLE

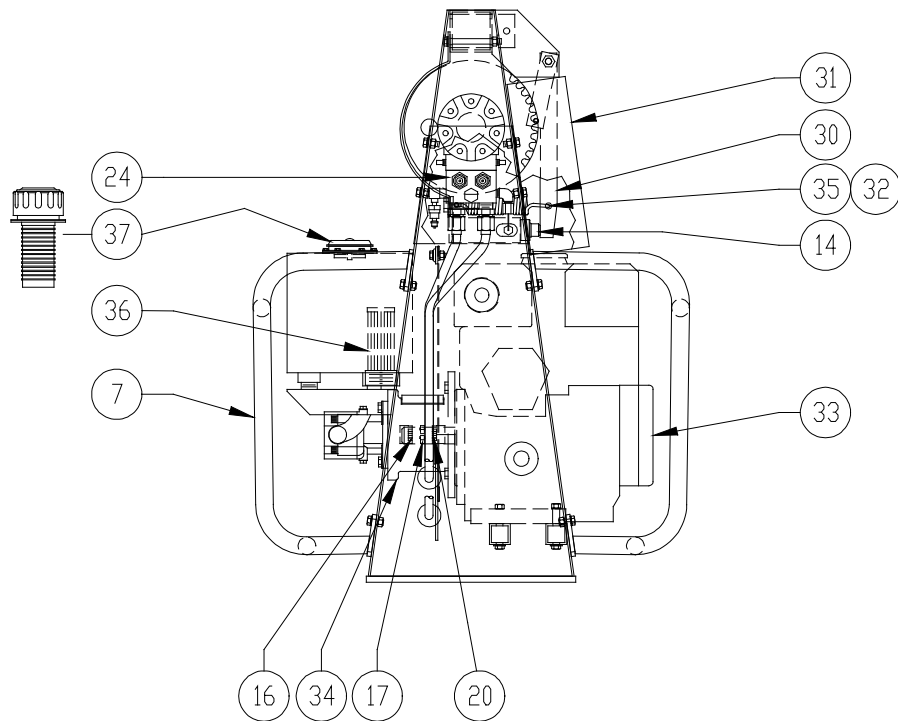
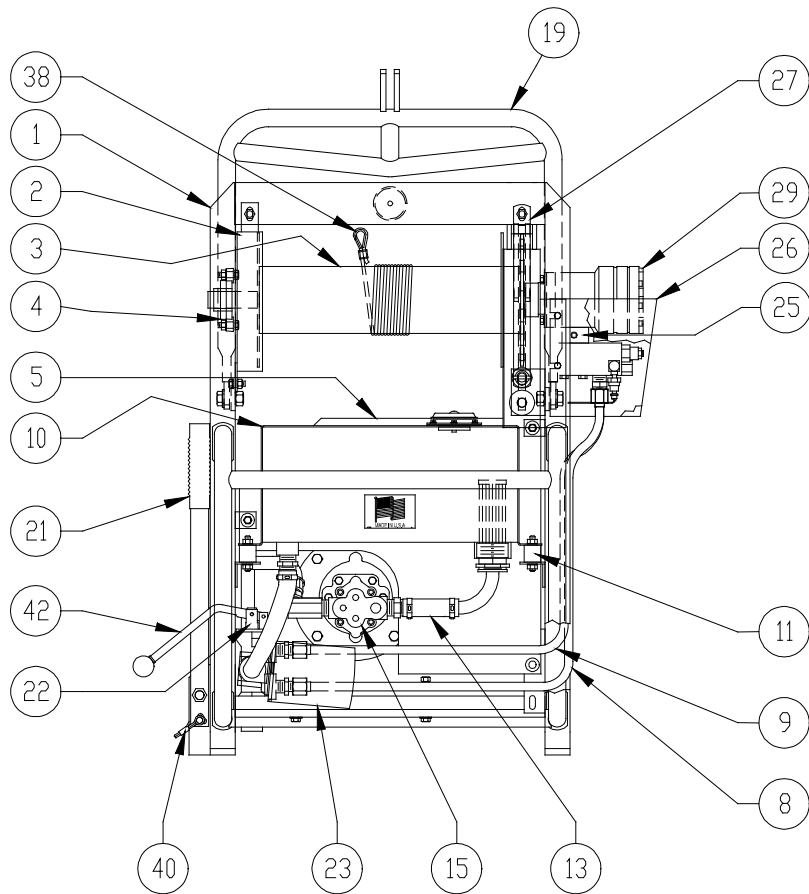


FIGURE 7-1.
HH500 AND HR500 HOIST MOUNT ASSEMBLY DRAWING