



HH500 & HR500 HYDRAULIC POWER DRIVE INSTRUCTIONS

REIMANN & GEORGER CORPORATION
HOISTING PRODUCTS
P/N 6102024

BUFFALO, NY
06/24/16

7.2 GROUND MOUNT GAS POWER DRIVE

Item Number	Part Number	Quantity	Description
1	0800101	1	FRAME
2	0804840	1	DRUM GUARD
3	0804849	1	WINCH DRUM ASSEMBLY
4	5100925	1	BEARING FLANGE
5	0801435	1	AIR BAFFLE
7	0804091	2	TUBE GUARD
8	0800758	1	LOWER TUBE
9	0800757	1	UPPER TUBE
10	0801440	1	RESERVOIR
11	5800869	4	RUBBER MOUNTS
13	5900918	2	HOSE 3/4" 6 INCH LONG
14	0810962	1	RAM/SINGLE ACTION
15	6900930	1	PUMP 6 GPM
16	6700905	1	PUMP COUPLING 9/16"
17	6700907	1	COUPLING INSERT
20	6700906	1	MOTOR COUPLING 1"
22	0804795	1	HYDRAULIC VALVE & HANDLE #43
23	6004723	1	OIL FILTER ELEMENT
	6004722	1	OIL FILTER HEAD
24	6010756	1	MOTOR LOCK VALVE
25	6000759	1	ADAPTER GAUGE PORT
26	0804848	1	GUARD HYDRAULIC MOTOR
27	0804846	1	GUARD SPROCKET
29	6500761	1	HYDRAULIC MOTOR
30	1000981	1	LOCKING ARM ASSEMBLY
31	0804845	1	GUARD-LOCK ARM
32	5800961	1	LOCK ARMSRING
33	0509012	1	ENGINE 9 HP SUBARU (HR500)
33	0855369	1	ENGINE 8 HP HONDA (HH500)
34	6900454	1	PUMP BRACKET
	6901502	1	PUMP BRACKET ACCESS COVER
35	1004155	1	LOCK ARM SPRING STUD
36	6000908	1	SUCTION STRAINER
37	6000921	1	FILTER BREATHER
38	7300009	AS ORDERED	WIRE ROPE ASSEMBLY
41	0904075	2	GROUND MOUNT BRACKET
43	0801709	1	GROUND MOUNT HANDLE & BALL KNOB

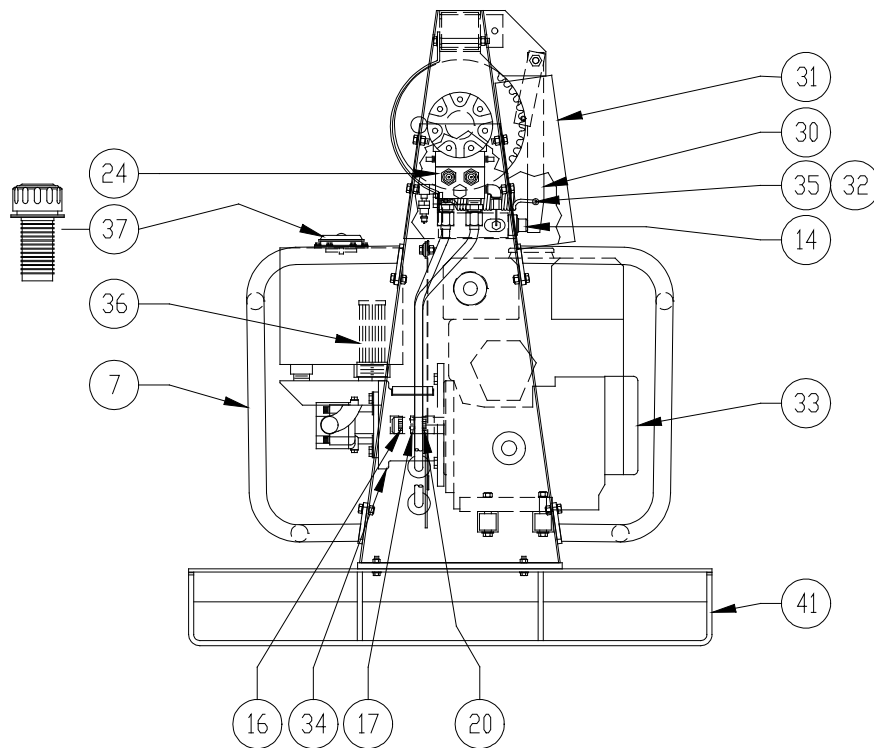
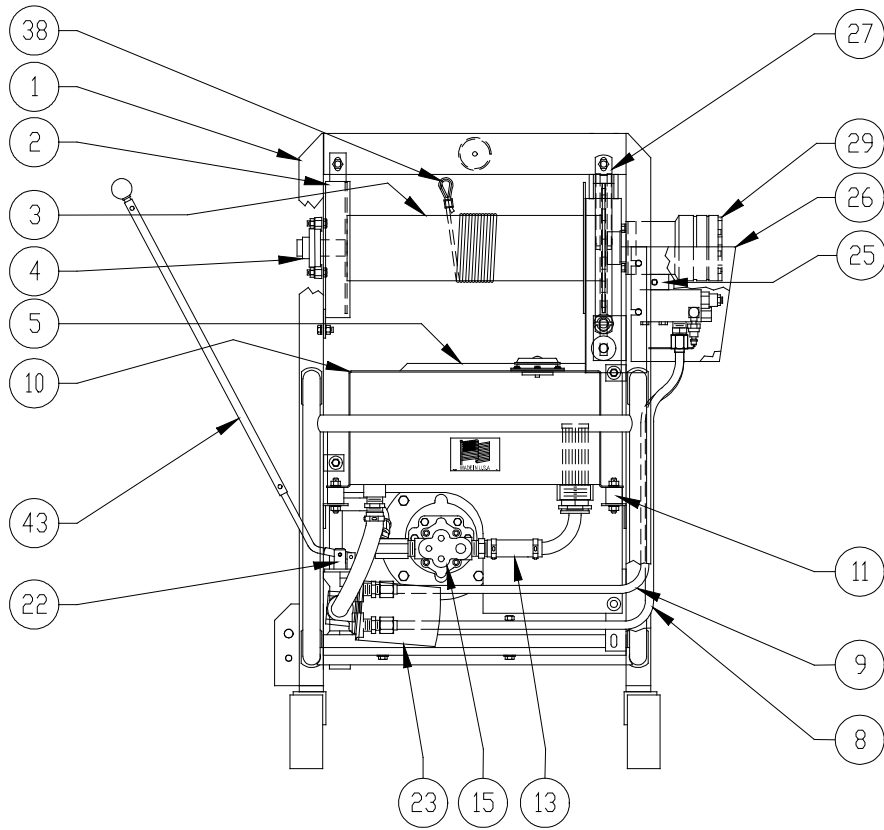


FIGURE 7-2.
HH500 AND HR500 GROUND MOUNT ASSEMBLY DRAWING