

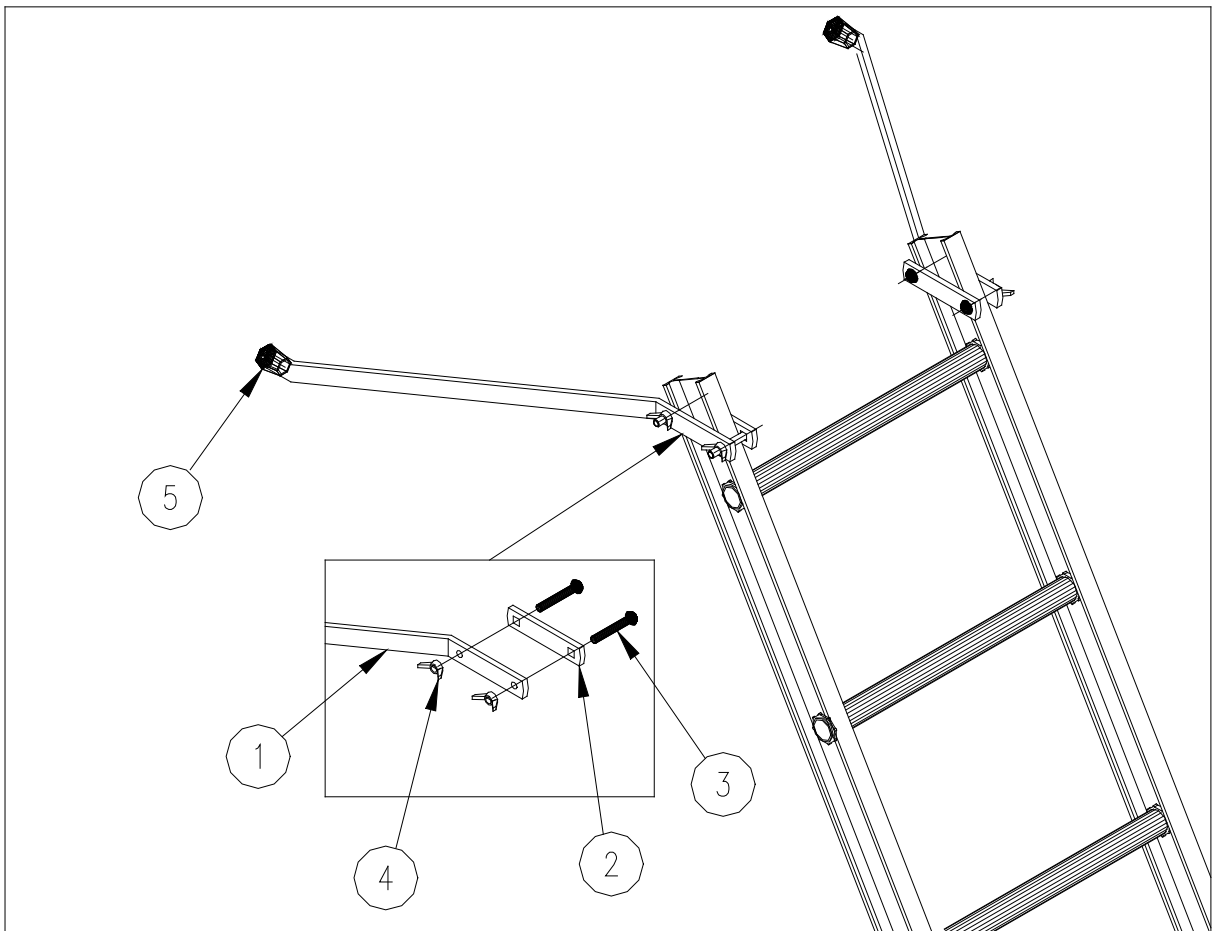
**LADDER ARM PARTS LIST**

Reference	Part Number	Quantity	Description
1	0601013-1	2	LADDER ARM
2	0601013-2	2	LADDER ARM CLAMP
3	5806323	4	CARRIAGE BOLT 3/8-16 X 2-1/2
4	5806383	4	WING NUT 3/8-16
5	6406027	2	CRUTCH TIP



**WARNING:**

**LADDER ARMS MUST NEVER BE INSTALLED ON PLATFORM LIFT TRACK SECTIONS. NEVER CLIMB ON THE TRACK. THIS CAN CAUSE SERIOUS PERSONAL INJURY OR DEATH. FOR USE ONLY ON A LADDER DESIGNED FOR CLIMBING.**



**WARNING:**

**ENSURE THAT ALL BOLTS AND NUTS ARE TIGHTENED SECURELY TO PREVENT EQUIPMENT DAMAGE AND/OR SERIOUS INJURY.**