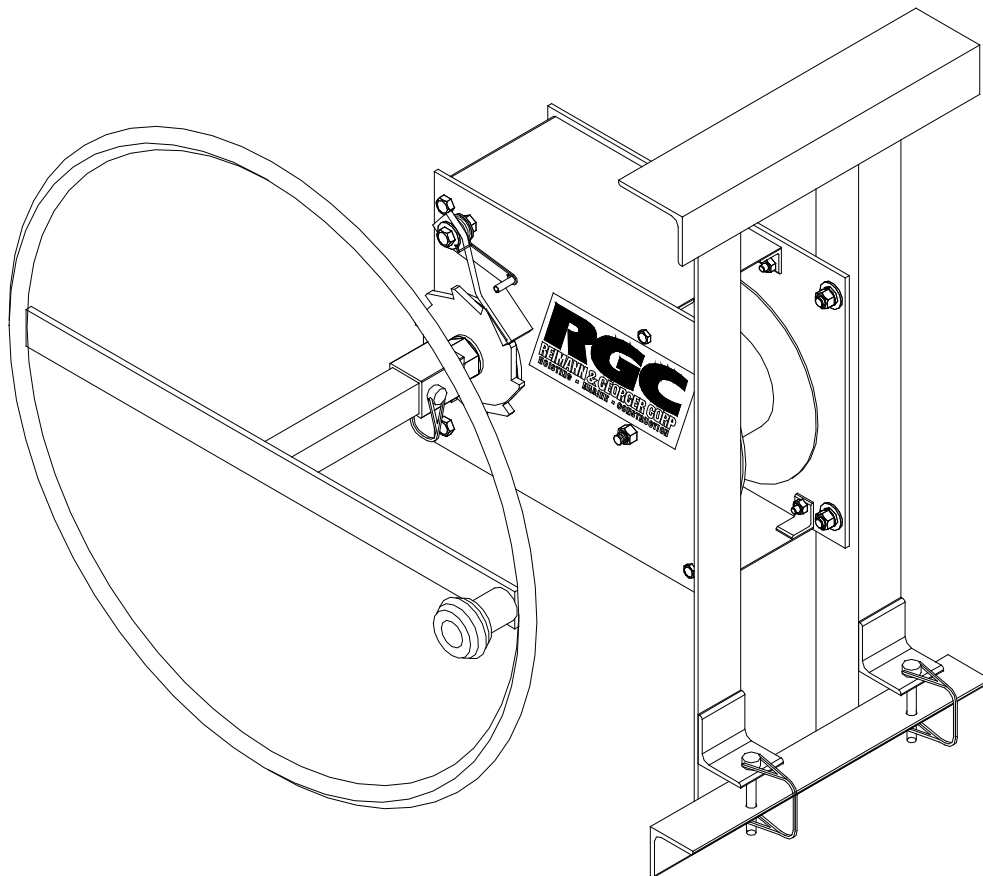




# HANDIHOIST INSTRUCTIONS



REIMANN & GEORGER CORPORATION  
HOISTING PRODUCTS  
P/N 6102065

BUFFALO, NY  
8/6/15

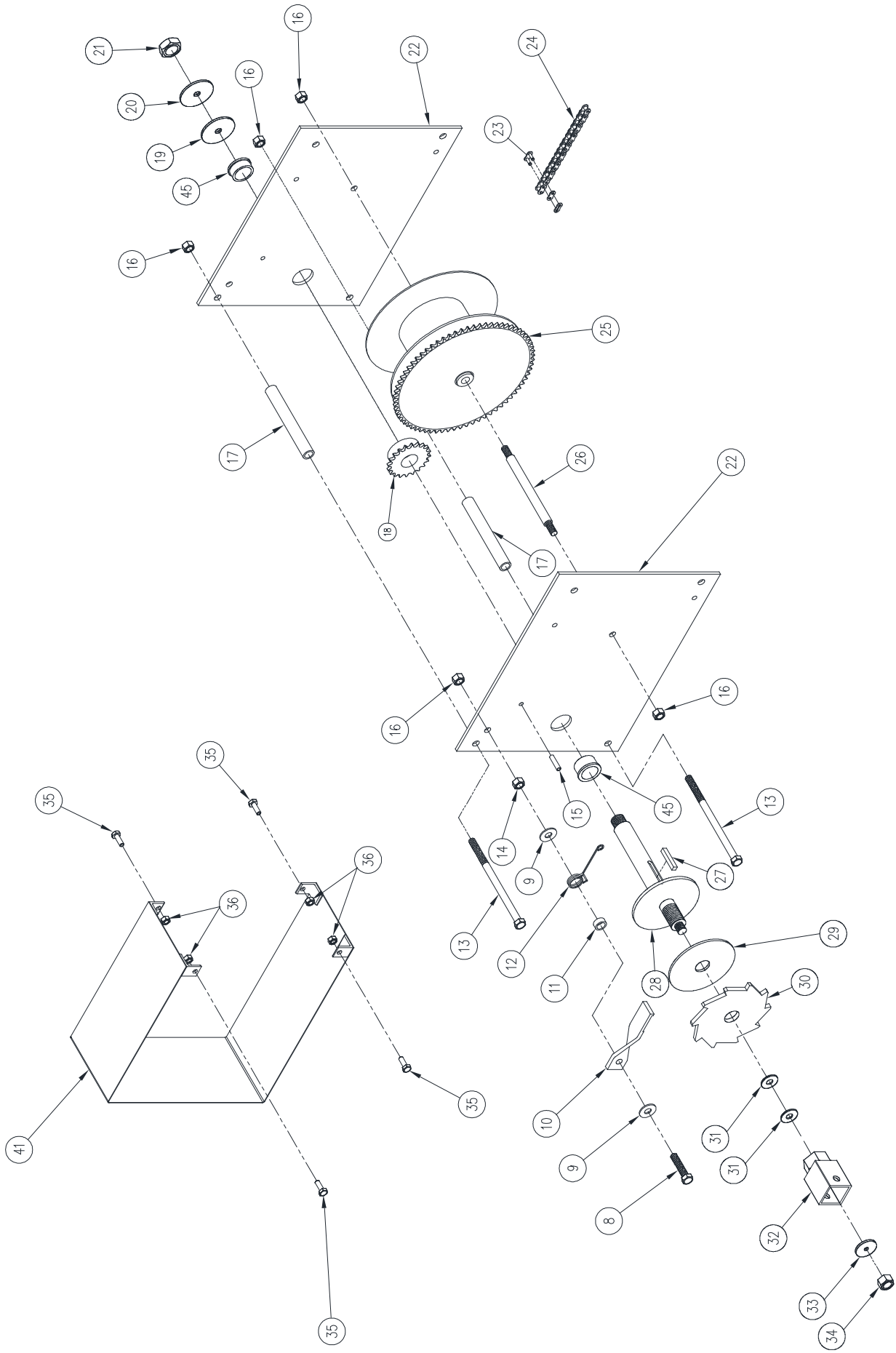
## 8 PARTS LISTS

Each item number on the following parts lists can be matched with the item number shown on the corresponding assembly drawing as indicated below.

### 8.1 HANDIHOIST

Refer to Figure 8-1

| Item Number | Part Number | Quantity | Description                            |
|-------------|-------------|----------|--|
| 1           | 5806302     | 1        | 5/16-18 X 3/4 PANHEAD SCREW            |
| 2           | 5806401     | 1        | 5/16 WASHER                            |
| 3           | 5806367     | 1        | 5/16-18 HEX LOCK NUT                   |
| 4           | 7304300     | 1        | 5/32 CA ASSY X 133'                    |
| 5           | 5800142     | 2        | 5/16 SQUARED SNAP CLEVIS PIN           |
| 6           | 5800138     | 1        | 5/16 ROUND SNAP CLEVIS PIN             |
| 7           | 0409714     | 1        | HANDIHOIST HANDWHEEL                   |
| 8           | 5806250     | 1        | 3/8-16 X 1-3/4 HEX BOLT                |
| 9           | 5806406     | 9        | 3/8 FLAT WASHER                        |
| 10          | 3709042     | 1        | CW PAWL                                |
| 11          | 3705916     | 1        | CW R18 WINCH PAWL SPACER               |
| 12          | 5805936     | 1        | CW R18 PAWL SPRING                     |
| 13          | 5806269     | 2        | 3/8-16 X 6-1/2 HEX BOLT                |
| 14          | 5806377     | 5        | 3/8-16 HEX NUT                         |
| 15          | 5806756     | 1        | 1/4 X 1 SS ROLL PIN                    |
| 16          | 5806141     | 5        | 3/8-16 SS NYLOCK HEX NUT               |
| 17          | 3709050     | 2        | CW R18 SPACER                          |
| 18          | 6709886     | 1        | 35A20 SPROCKET 1" BORE                 |
| 19          | 5892000     | 1        | 1 SS FLAT WASHER                       |
| 20          | 5806417     | 1        | 3/4 FLAT WASHER                        |
| 21          | 5806191     | 1        | 3/4-16 NYLOCK HEX JAM NUT              |
| 22          | 0409869     | 2        | HANDIHOIST SIDE PLATE                  |
| 23          | 6709889     | 1        | HH DRUM CHAIN QUICK LINK               |
| 24          | 0409636     | 1        | HH DRUM CHAIN ASSY (INCL #23)          |
| 25          | 0409631     | 1        | HANDIHOIST DRUM AND BEARING ASSY       |
| 26          | 0409867     | 1        | HANDIHOIST DRUM SHAFT                  |
| 27          | 5809882     | 1        | 1/4 X 1/4 X 1-1/2 MACHINE KEY          |
| 28          | 0409701     | 1        | HANDIHOIST INPUT SHAFT WLDMNT ZCC      |
| 29          | 6703833     | 1        | 4" OD FRICTION DISC                    |
| 30          | 3701501     | 1        | CW BRAKE RATCHET                       |
| 31          | 5100601     | 2        | 1-1/2 OD X 7/8 ID THRUST BEARING       |
| 32          | 0409711     | 1        | HANDIHOIST ACME NUT WLDMNT             |
| 33          | 5806400     | 1        | 1/2" FLAT WASHER                       |
| 34          | 5816153     | 1        | 1/2-20 CENTERLOCK HEX NUT              |
| 35          | 5806206     | 4        | 1/4-20 X 3/4 CZP HEX BOLT              |
| 36          | 5806131     | 4        | 1/4-20 CZP NYLOCK HEX NUT              |
| 37          | 5806247     | 4        | 3/8-16 X 1 HEX BOLT                    |
| 38          | 5800119     | 4        | 3/8 SPLIT LOCK WASHER                  |
| 39          | 0409607     | 1        | HANDIHOIST WINCH ASSY(LESS FRAME)      |
| 40          | 0409705     | 1        | HANDIHOIST FRAME WLDMNT                |
| 41          | 0409708     | 1        | HANDIHOIST COVER WLDMNT                |
| 42          | 5806266     | 1        | 3/8-16 SS ACORN NUT                    |
| 43          | 3603670     | 1        | HANDWHEEL SPINNER KNOB                 |
| 44          | 5803521     | 1        | 3/8-16 X 2-3/4 HEX BOLT                |
| 45          | 5100607     | 2        | FLANGED BEARING 1 X 1-1/4 X 3/4 BRONZE |



**Figure 8.1**  
**Handhoist Assembly Drawing**