



HV2310/HV2312 HYDRAPAK INSTRUCTIONS

REIMANN & GEORGER CORPORATION
CONSTRUCTION PRODUCTS
P/N 6122005

BUFFALO, NY
3/12/18

6 PARTS LIST

The following parts list applies to the HV2310 /HV2312 HydraPaks only. Each item number on this parts list can be matched with the item number shown on the Figure 6-1 assembly drawing.

Item Number	Part Number	Quantity	Description
1	5625423	1	FEMALE FUEL QUICK DISCONNECT 1/4"
1	5625424	1	MALE FUEL QUICK DISCONNECT 1/4"
2	2542334	1	MAIN FRAME
3	2501743	1	FUEL TANK 6 GALLON
4	6425136	1	FUEL TANK RETAINING STRAP
5	2542345	1	HOISTING BRACKET
6	2510872	1	RESERVOIR
7	6000921	1	FILLER BREATHER CAP
8	6000908	1	SUCTION STRAINER ASSY
9	5800138	4	CLEVIS PIN ROUNDED SNAP
10	2546006	1	FRAME HANDLE
11	6001885	1	COUPLING 1/2" MALE
12	6001519	1	COUPLING 1/2" FEMALE
13	2514301	1	HEAT EXCHANGER ASSY
14	6010855	1	HEAT EXCHANGER CORE
15	5411513	1	FAN 12"
16	5411512	1	WIRE HARNESS
17	5800387	2	COTTER HAIR PIN
18	6901510	1	HYDRAULIC PUMP (HV2310 ONLY)
18	6901504	1	HYDRAULIC PUMP (HV2312 ONLY)
19	2542378	1	MUFFLER BAFFLE
20	5400861	1	BATTERY
20	5401564	1	BATTERY STRAP
21	6901501	1	HYDRAULIC PUMP BRACKET
21	6901502	1	PUMP ACCESS COVER
22	5493623	1	STARTER WIRE
23	5573065	1	ENGINE 23HP VANGUARD
24	5525423	1	MUFFLER
25	6015301	1	FLOW CONTROL VALVE (HV2310 ONLY)
	6025424		FLOW CONTROL VALVE (HV2312 ONLY)
26	6015302	1	FLOW CONTROL HANDLE ASSY 10 POSITION
27	6061132	2	HANDLE ONLY FOR 3 POSITION & 10 POSITION ASSY'S
28	6015304	1	PRESSURE CONTROL HANDLE ASSY 3 POSITION
29	6015303	1	PRESSURE CONTROL VALVE
30	6001530	1	MANIFOLD (HV2310 ONLY)
30	6025423	1	MANIFOLD (HV2312 ONLY)
31	6015308	3 (2)	RELIEF VALVE HV2312 (HV2310 QTY 2)
32	6025231	1	RELIEF VALVE (HV2310 ONLY)
33	6015306	1	PILOT LOGIC ELEMENT (HV2310 ONLY)
34	6015305	1	CHECK VALVE
35	5401511	1	FAN RELAY
36	6725422	1	COUPLING HALF 1" – ENGINE
37	6725423	1	COUPLING INSERT
38	6705421	1	COUPLING HALF 5/8" – PUMP (HV2310 ONLY)
	6725424		COUPLING HALF 3/4" – PUMP (HV2312 ONLY)
39	2504743	1	AXLE—STANDARD TIRE
40	6004722	1	HYDRAULIC FILTER HEAD
42	6004723	1	HYDRAULIC FILTER ELEMENT
43	7600871	2	TIRE AND RIM ASSY—STANDARD
44	2542323	1	CONTROL PANEL
45	5701571	1	HOUR METER
46	5701972	1	PRESSURE GAGE
47	5701570	1	VOLT METER

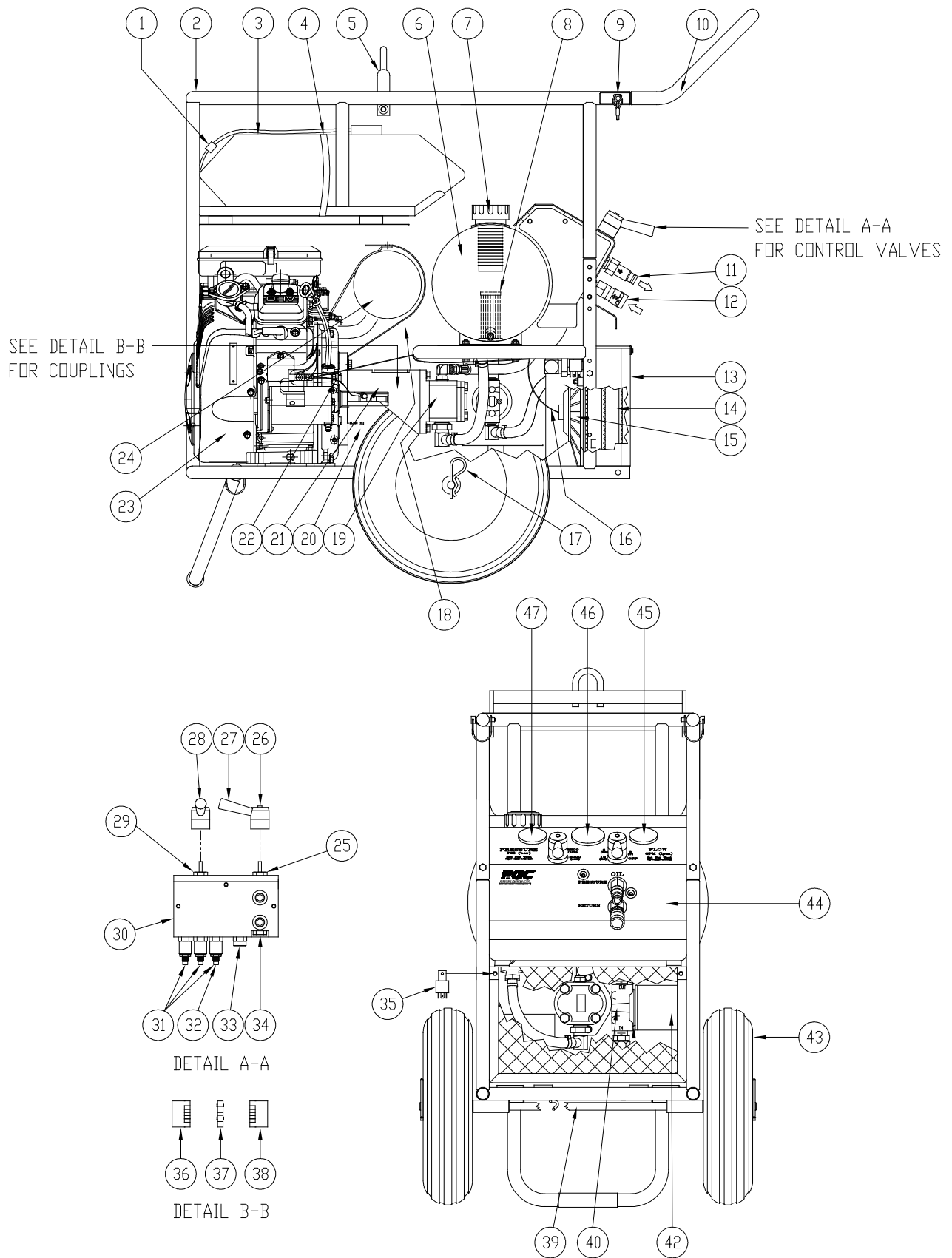


Figure 6-1.
HV2310 / HV2312 Assembly Drawing