



HV1858S HYDRAPAK INSTRUCTIONS

REIMANN & GEORGER CORPORATION
HOISTING PRODUCTS
P/N 6102027

BUFFALO, NY
09/22/16

7 PARTS LIST

The following parts list applies to the HV1858S HydraPak only. The parts list for the associated swing hoist is in the separate manual for this item. Each item number on this parts list can be matched with the item number shown on the Figure 7-1 assembly drawing.

Item Number	Part Number	Quantity	Description
1	0545904	1	MAIN FRAME
2	2510872	1	RESERVOIR
3	6000921	1	FILLER BREATHER CAP
4	0504746	2	HANDLE WITH PINS & KNOB
5	0514414	2	HANDLE W/ GRIP
6	6000908	1	SUCTION STRAINER
7	0545906	2	RESERVOIR MOUNTING BRACKET
8	6950558	1	PUMP 5/8 GPM (parker)
9	6700873	1	COUPLING HALF 1/2" – PUMP
10	6700907	1	COUPLING INSERT
11	6700906	1	COUPLING HALF 1" ENGINE
12	5800387	2	COTTER HAIRPIN
13	7600871	2	TIRE/RIM ASSEMBLY
14	2504743	1	AXLE
15	6900454	1	PUMP BRACKET
16	6901502	1	PUMP BRACKET ACCESS COVER
17	5800138	5	CLEVIS PIN ROUNDED SNAP
18	0503984	1	FRONT SUPPORT LEG W/ GRIP
19	0543432	1	HEAT EXCHANGER ASSEMBLY
	6000798	1	HEAT EXCHANGER CORE
20	5800866	4	HEAT EXCHANGER MOUNT
21	0555447	1	ENGINE 18 HP AUTO IDLE VANGUARD
	5507742	1	MUFFLER
22	5044795	1	VALVE (WINCH) W/HANDLE
23	6414748	2	KNOB (BALL)
24	5044794	1	VALVE (BOOM) W/HANDLE
25	6000969	1	COUPLING FEMALE 1/4"
26	6000967	1	COUPLING MALE 1/4"
27	6204383	1	CONTROL PANEL DECAL
27	0524382	1	CONTROL PANEL
28	6004722	1	FILTER HEAD
29	6004723	1	FILTER ELEMENT
31	5401564	1	BATTERY STRAP
32	5400861	1	BATTERY
33	6000865	1	BALL VALVE
34	6000920	1	COUPLING MALE 1/2"
35	6000919	1	COUPLING FEMALE 1/2"
36	5401562	1	TOGGLE SWITCH
37	5414518	1	WIRE HARNESS
	6001553	1	PRESSURE SENSOR AUTO IDLE

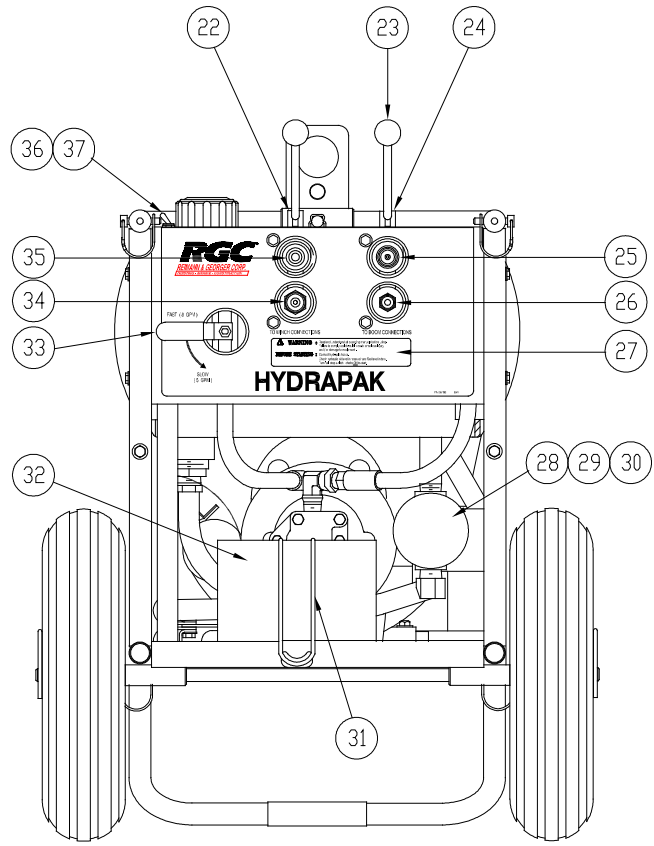
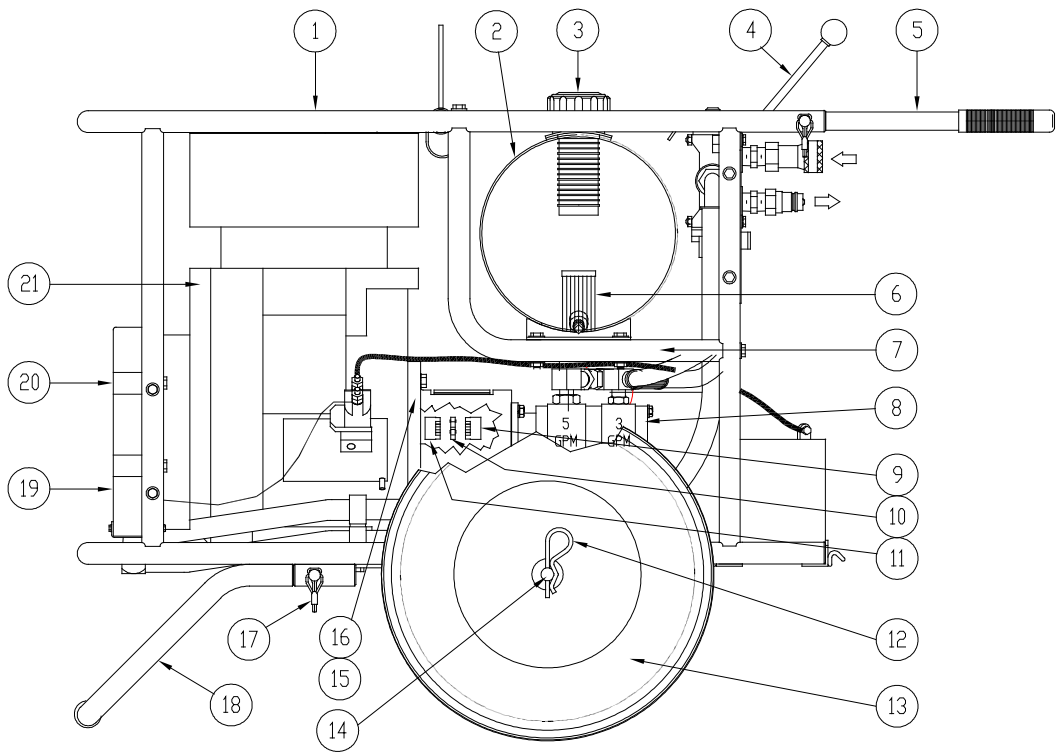


Figure 7-1.
HV1858S Assembly Drawing