



HH1358C/HV1658C/HV1858C HYDRAPAK INSTRUCTIONS

REIMANN & GEORGER CORPORATION
CONSTRUCTION PRODUCTS
P/N 6122020

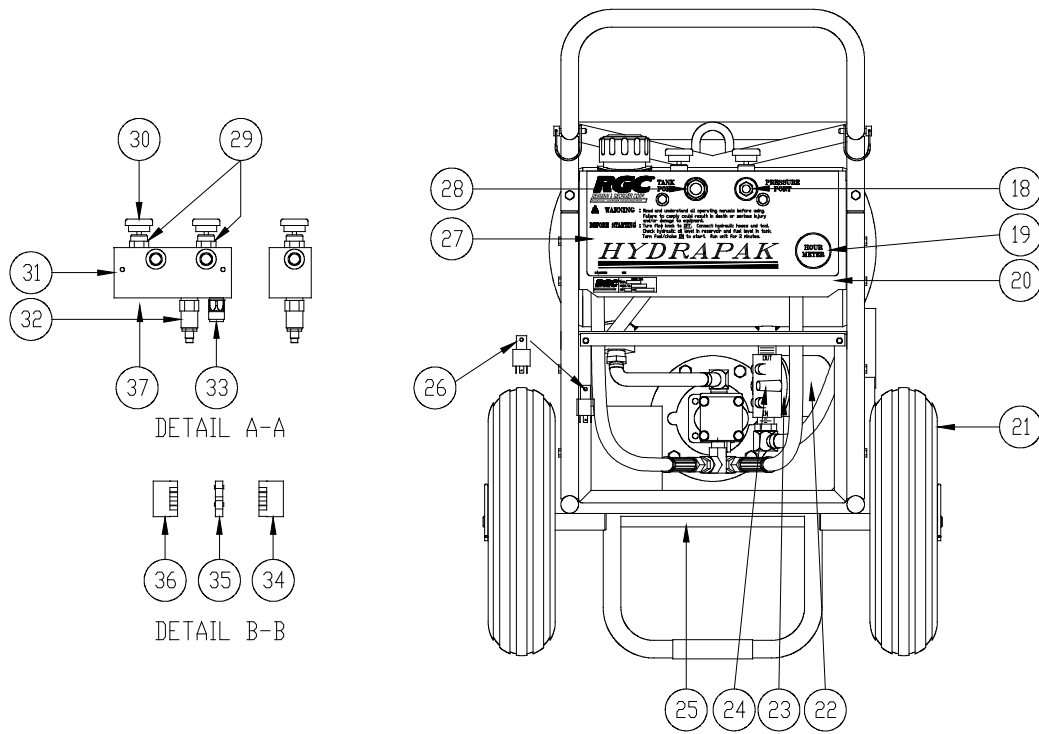
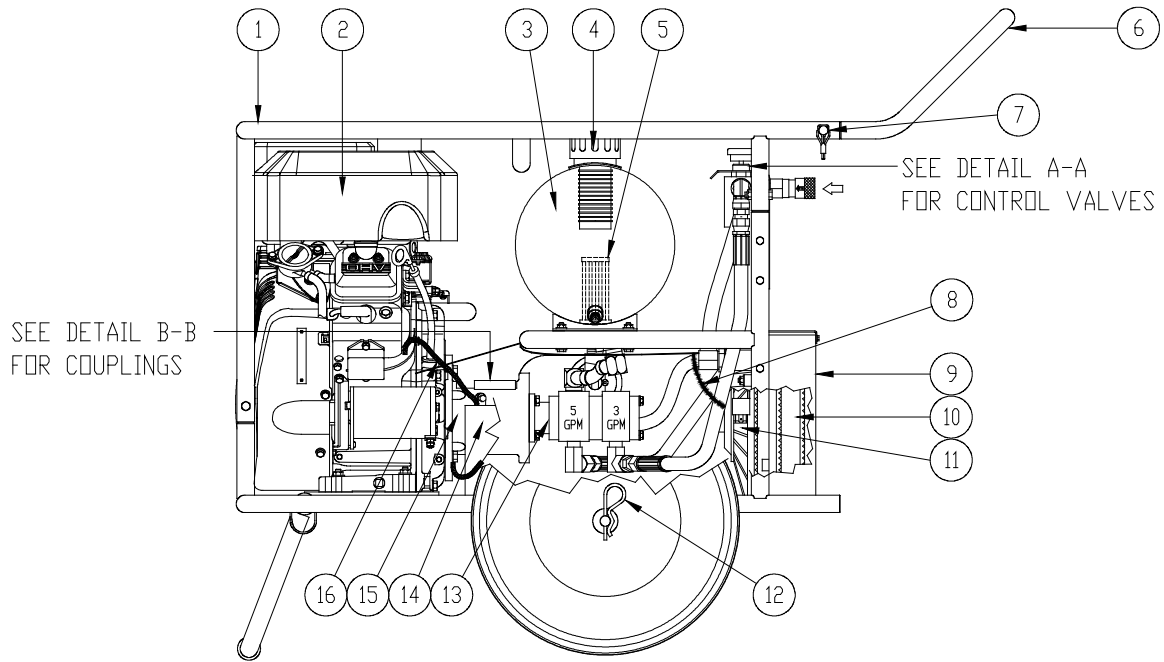
BUFFALO, NY
01/12/2017

6 PARTS LIST

The following parts list applies to the HH1358C, HV1658C and HV1858C HydraPaks only. Each item number on this parts list can be matched with the item number shown on the Figure 6-1 assembly drawing.

Item Number	Part Number	Quantity	Description
1	2546004	1	MAIN FRAME
2	0555326	1	ENGINE 13 HP HONDA (HH1358)
2	5570568	1	ENGINE 16 HP VANGUARD (HV1658)
2	5513447	1	ENGINE 18 HP VANGUARD (HV1858)
	5507742	1	MUFFLER (HV1858 ONLY)
3	2510872	1	RESERVOIR ASSEMBLY
4	6000921	1	FILLER BREATHER CAP
5	6000908	1	SUCTION STRAINER ASSEMBLY
6	2546006	1	FRAME FORMED HANDLE
7	5800138	4	CLEVIS PIN ROUNDED SNAP
8	5401548	1	WIRE HARNESS HONDA (HH1358)
8	5411512	1	WIRE HARNESS VANGUARD (HV1658)
8	5414518	1	WIRE HARNESS VANGUARD (HV1858)
9	2514302	1	HEAT EXCHANGER ASSEMBLY
10	6000855	1	HEAT EXCHANGER CORE
11	5401513	1	FAN 10"
12	5800387	2	COTTER HAIR PIN
13	2505558	1	HYDRAULIC PUMP 5/8 GPM REPLACEMENT KIT
	6950558	1	HYDRAULIC PUMP 5/8 GPM
14	5400861	1	BATTERY
	5401564	1	BATTERY STRAP
15	6910454	1	PUMP BRACKET (HV1658 + HV1858)
15	6900454	1	PUMP BRACKET (HH1358)
	6901502	1	PUMP BRACKET COVER
16	5493623	1	POSITIVE BATTERY WIRE
18	6001885	1	COUPLING 1/2" MALE
19	5701571	1	HOUR METER
20	2514380	1	CONTROL PANEL
21	7600871	2	TIRE AND RIM ASSEMBLY
22	6004723	1	HYDRAULIC FILTER ELEMENT
24	6004722	1	HYDRAULIC FILTER HEAD
25	2504743	1	AXLE
26	5401511	1	FAN RELAY
27	6205683	1	CONTROL PANEL DECAL
28	6001886	1	COUPLING 1/2" FEMALE SAE
29	6085401	2	FLOW CARTRIDGE W/ KNOB
30	2510854	2	FLOW KNOB (ONLY)
31	6000854	1	MANIFOLD
32	6015310	1	RELIEF VALVE
33	5401549	1	LOW PRESSURE SWITCH (HH1358)
34	6700873	1	COUPLING HALF 1/2" - PUMP
35	6700907	1	COUPLING INSERT
36	6700906	1	COUPLING HALF 1" - ENGINE
37	6001553	1	HIGH PRESSURE SENSOR (HV1858)

HH1358C, HV1658C, HV1858C



DETAIL A-A

DETAIL B-B

Figure 6-1.
HH1358C, HV1658C, and HV1858C Assembly Drawing