



HV185510C HYDRAPAK INSTRUCTIONS

REIMANN & GEORGER CORPORATION
CONSTRUCTION PRODUCTS
P/N 6122037

BUFFALO, NY
11/25/13

6 PARTS LIST

The following parts list applies to the HV1855C HydraPak only. Each item number on this parts list can be matched with the item number shown on the Figure 6-1 assembly drawing.

Item Number	Part Number	Quantity	Description
1	2546004	1	MAIN FRAME
2	5570377	1	ENGINE 18 HP VANGUARD EPA'12
	5505142	1	MUFFLER
3	2510872	1	RESERVOIR ASSEMBLY
4	6000921	1	FILLER BREATHER CAP
5	6000908	1	SUCTION STRAINER ASSEMBLY
6	2546006	1	FRAME HANDLE
7	5800138	4	CLEVIS PIN ROUNDED SNAP
8	5411512	1	WIRE HARNESS VANGUARD
9	2514301	1	HEAT EXCHANGER ASSEMBLY
10	6010855	1	HEAT EXCHANGER CORE 10 TUBE
11	5411513	1	FAN 12"
12	5800387	2	COTTER HAIR PIN
13	6918113	1	HYDRAULIC PUMP DBL 5-5-10 P
14	5400861	1	BATTERY
14	5401564	1	BATTERY STRAP
15	6910454	1	PUMP BRACKET
15	6901502	1	PUMP BRACKET COVER
16	5493623	1	POSITIVE BATTERY WIRE
17	6001885	2	COUPLING 1/2" MALE
18	5701571	1	HOUR METER
19	2518110	1	CONTROL PANEL HV185510
20	7600871	2	TIRE AND RIM ASSEMBLY
21	6004723	1	HYDRAULIC FILTER ELEMENT
23	6004722	1	HYDRAULIC FILTER HEAD
24	2504743	1	AXLE
25	5401511	1	FAN RELAY
26	6218112	1	CONTROL PANEL DECAL HV185510
27	6001519	2	COUPLING 1/2" FEMALE
29	6085401	2	FLOW CARTRIDGE W/ KNOB
30	2510854	2	FLOW KNOB (ONLY)
31	6001532	1	MANIFOLD
32	6015310	2	RELIEF VALVE
34	6700873	1	COUPLING HALF 3/4" - PUMP
35	6700907	1	COUPLING INSERT
36	6700906	1	COUPLING HALF 1" - ENGINE

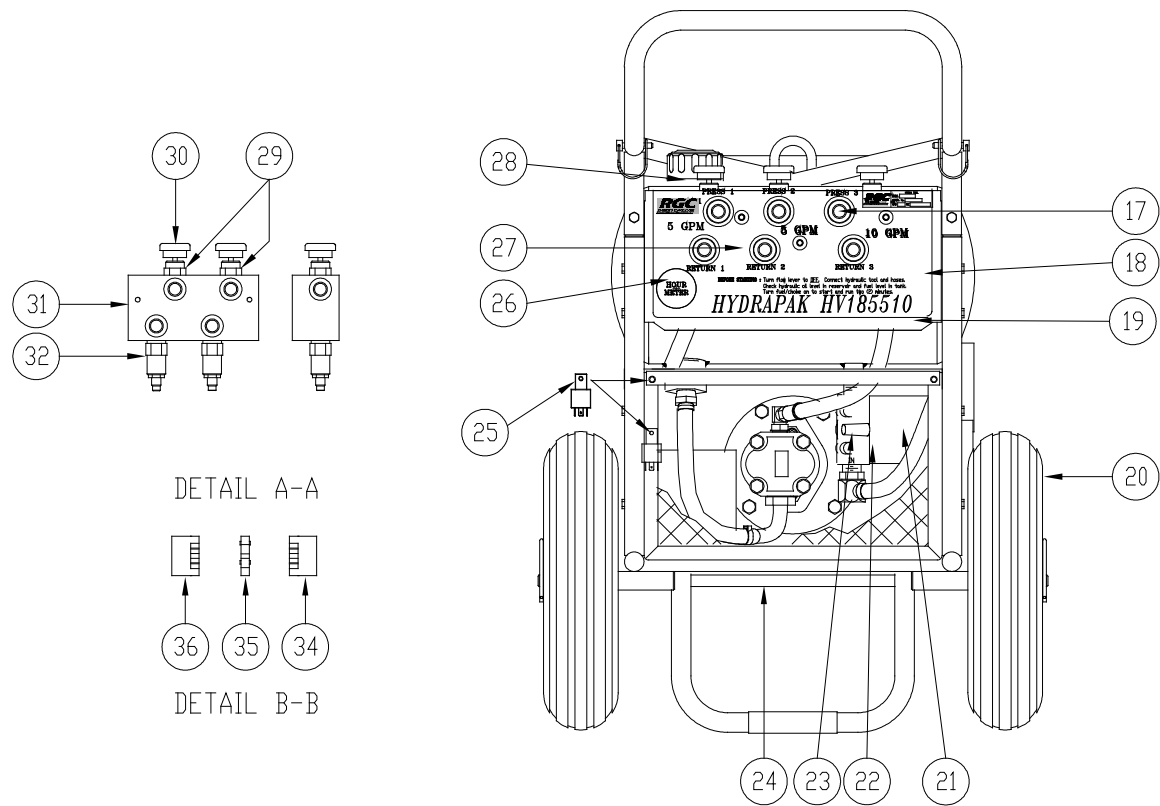
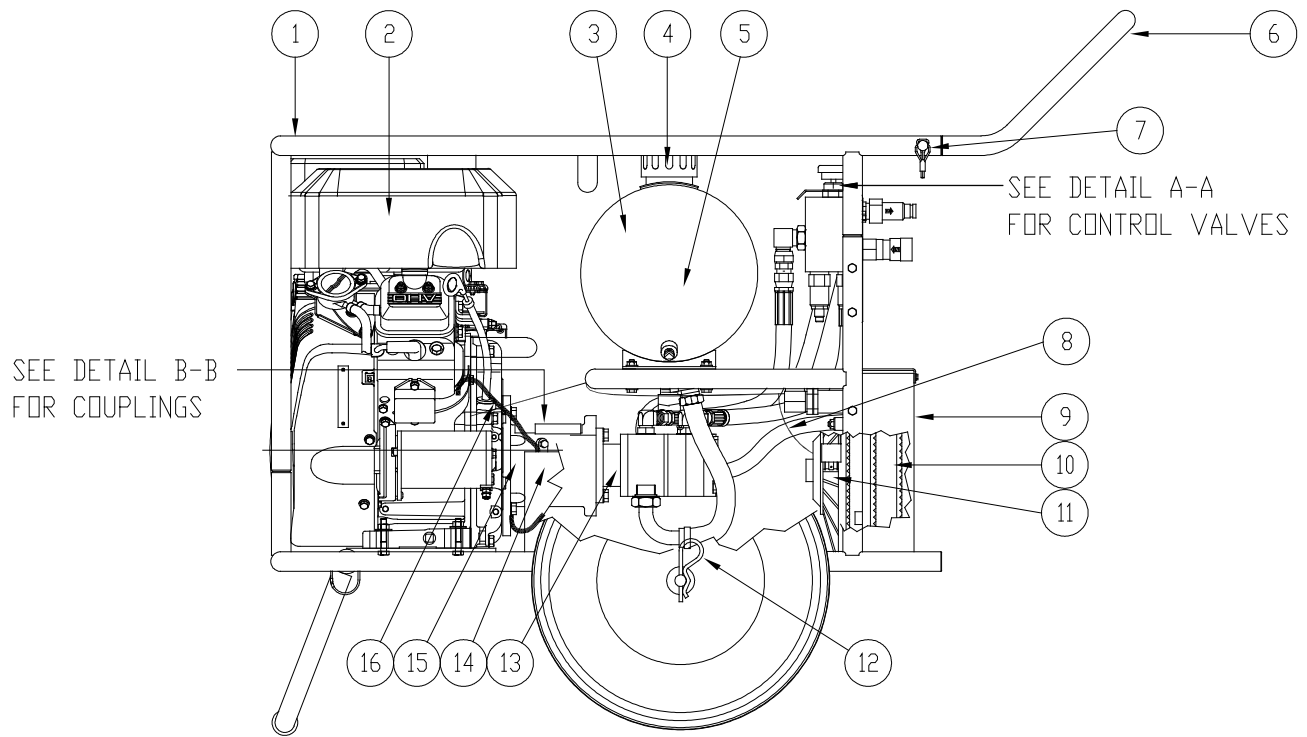


Figure 6-1.
HV185510 Assembly Drawing