



HV1810STD/HV1810XL BI-DIRECTIONAL HYDRAPAK INSTRUCTIONS

**REIMANN & GEORGER CORPORATION
CONSTRUCTION PRODUCTS
P/N 6122022**

**BUFFALO, NY
01/18/12**

6 PARTS LIST

The following parts list applies to the HV1810STD, HV1810XL BI-Directional HydraPacs only. Each item number on this parts list can be matched with the item number shown on the Figure 6-1 assembly drawing.

Item Number	Part Number	Quantity	Description
1	2546004	1	MAIN FRAME
2	5507447	1	ENGINE 18HP VANGUARD
	5507742	1	MUFFLER
3	2510872	1	RESERVOIR
4	6000921	1	FILLER BREATHER CAP
5	6000908	1	SUCTION STRAINER ASSY
6	5800138	4	CLEVIS PIN ROUNDED SNAP
7	2546006	1	FRAME HANDLE
8	6001883	1	COUPLING 1/2" MALE NPT
9	6001884	1	COUPLING 1/2" FEMALE NPT
10	5411512	1	WIRE HARNESS W / AUTO IDLE
11	2514302	1	HEAT EXCHANGER ASSY
12	6000855	1	HEAT EXCHANGER CORE
13	5401513	1	FAN 10"
14	5800387	2	COTTER HAIR PIN
15	6901510	1	HYDRAULIC PUMP
16	5400861	1	BATTERY
	5401564	1	BATTERY STRAP
17	6901501	1	HYDRAULIC PUMP BRACKET
17	6901502	1	PUMP ACCESS COVER
18	5493623	1	STARTER WIRE
19	5701570	1	VOLT METER (XL)
20	5701972	1	PRESSURE GAGE (XL)
21	5701571	1	HOUR METER
22	2501545	1	CONTROL PANEL
22	2501540	1	CONTROL PANEL (XL)
23	7601523	2	TIRE AND RIM ASSY—WIDE (XL)
23	7600871	2	TIRE AND RIM ASSY—STANDARD
24	6004723	1	HYDRAULIC FILTER ELEMENT
26	6004722	1	HYDRAULIC FILTER HEAD
27	2501524	1	AXLE—WIDE TIRE (XL)
27	2504743	1	AXLE—STANDARD TIRE
28	5401511	1	FAN RELAY
29	5401562	1	TOGGLE SWITCH
30	6011553	1	PRESSURE SENSOR AUTO IDLE
31	6015301	1	FLOW CONTROL VALVE
32	6015302	1	FLOW CONTROL HANDLE ASSY 10 POSITION
33	6061132	2	HANDLE ONLY FOR 3 POSITION & 10 POSITION ASSY'S
34	6015304	1	PRESSURE CONTROL HANDLE ASSY 3 POSITION
35	6015303	1	PRESSURE CONTROL VALVE
36	6001530	1	MANIFOLD

37	6015308	3	RELIEF VALVE
38	6015306	1	PILOT LOGIC ELEMENT
39	6015305	1	CHECK VALVE
40	6700904	1	COUPLING HALF 3/4" – PUMP
	6700846		COUPLING HALF 5/8" -PUMP
41	6700907	1	COUPLING INSERT
42	6700906	1	COUPLING HALF 1" - ENGINE
44	5007557	3	SPACER FOR BRAND VALVE
45	5600958	2	NIPPLE HEX 1/2 NPTM
46	6004795	1	VALVE- HYDRAPAK WINCH CONTROL
47	6004802	1	DETENT KIT DOUBLE BRAND
48	5806214	3	HHCS 1/4-20 X 2-3/4 CZP
49	5806366	3	NUT HEX TOPLOCK 1/4-20 CZP
50	5806202	4	HHCS 1/4-20 X 1/2 CZP
51		2	FITTING AEROQUIP 2062-8-8S
52		1	FITTING AEROQUIP 2021-12-8S
53		1	FITTING AEROQUIP 2024-12-8S
54		1	1/2 TUBE/W FITTINGS

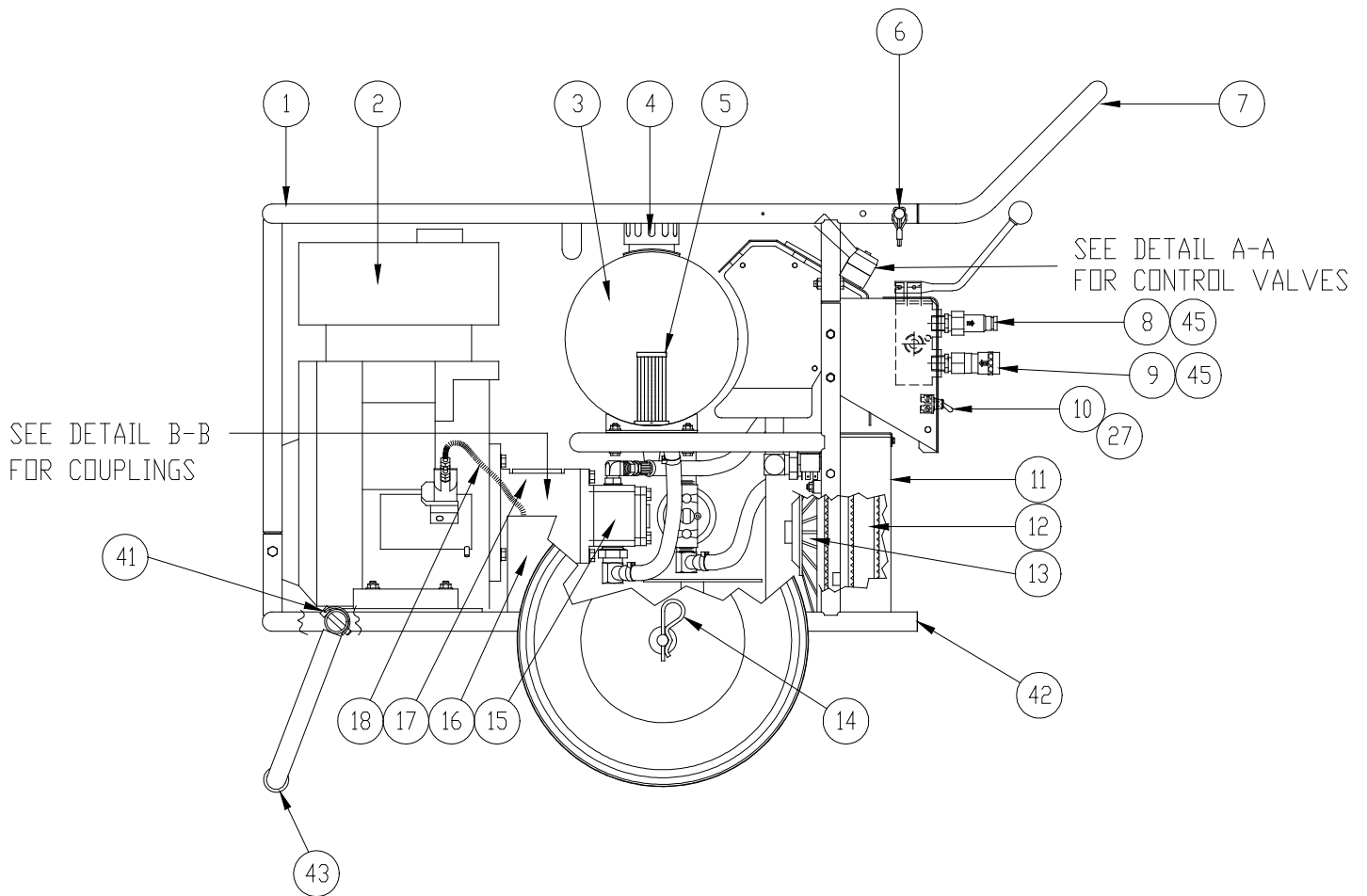


Figure 6-1.
HV1810STD, HV1810XL Assembly Drawing

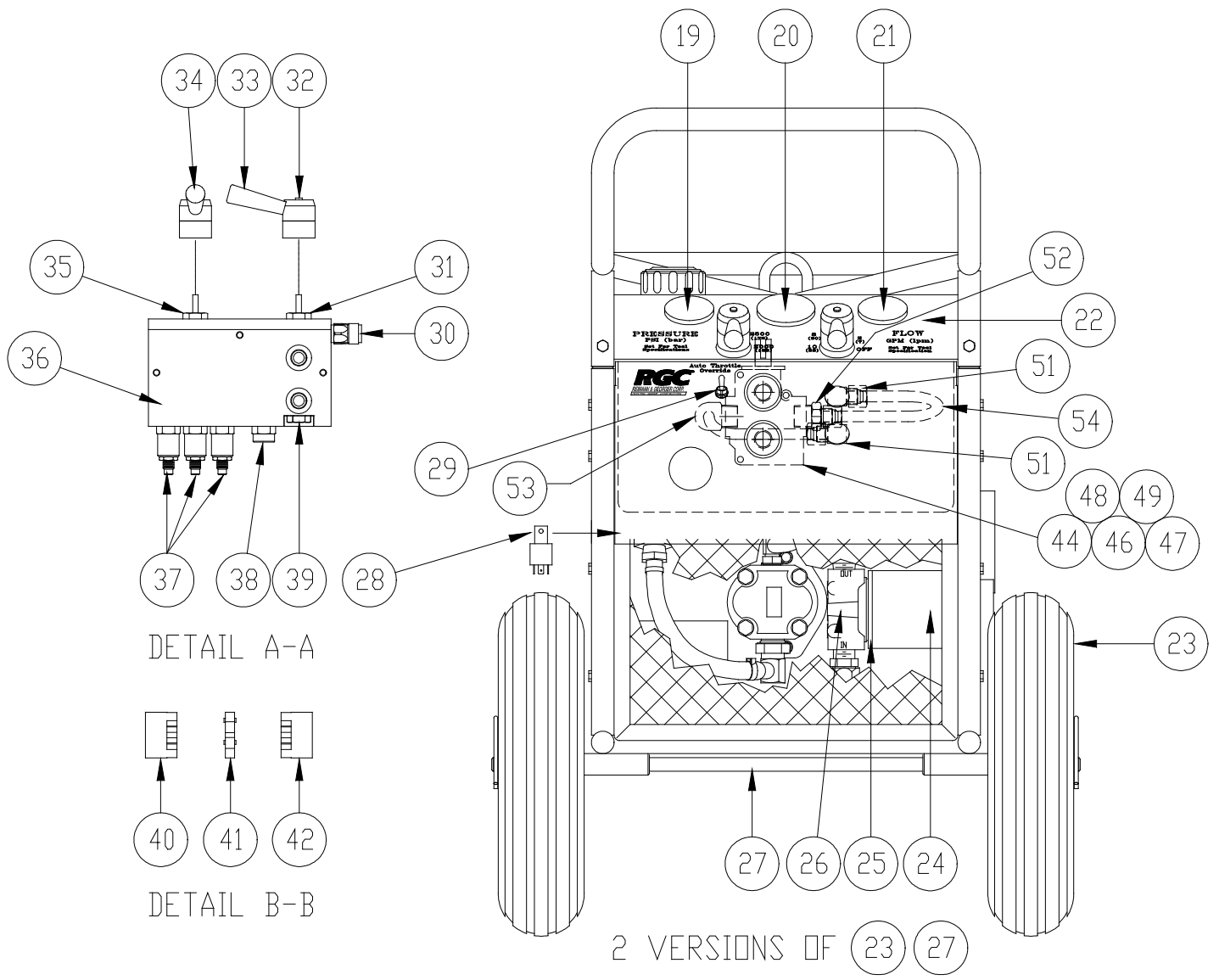


Figure 6-2.
HV1810STD, HV1810XL Assembly Drawing