



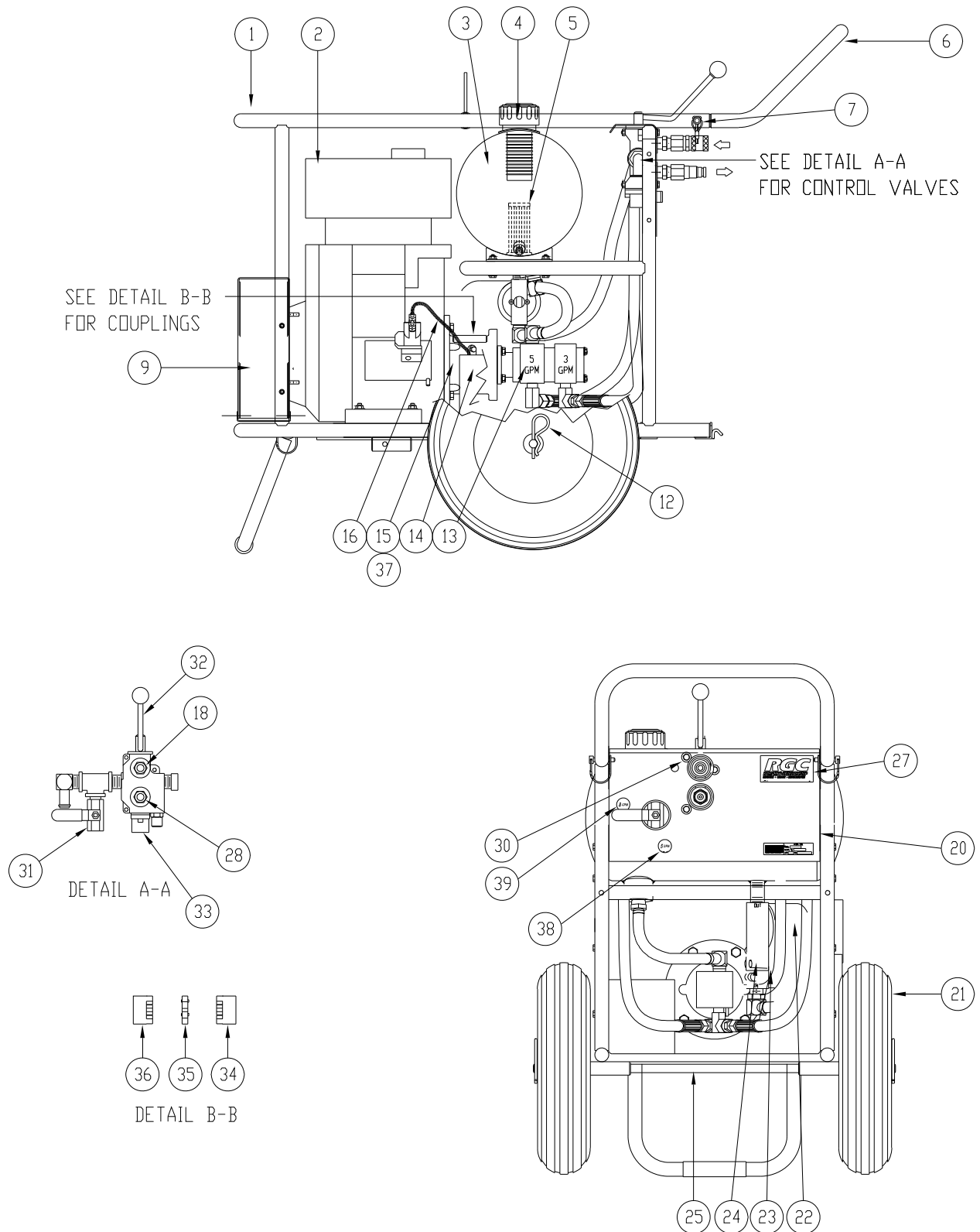
# HH1358C & HV1658C BI-DIRECTIONAL HYDRAPAK INSTRUCTIONS

## 6 PARTS LIST

The following parts list applies to the HH1358C and HV1658C Bi-Directional HydraPaks only. Each item number on this parts list can be matched with the item number shown on the Figure 6-1 assembly drawing.

Item Number	Part Number	Quantity	Description
1	0545904	1	MAIN FRAME
2	0555120	1	ENGINE 13 HP HONDA (HH1358)
2	2555772	1	ENGINE 16 HP VANGUARD (HV1658)
3	2510872	1	RESERVOIR ASSEMBLY
4	6000921	1	FILLER BREATHER CAP
5	6000908	1	SUCTION STRAINER ASSEMBLY
6	2546006	1	FRAME FORMED HANDLE
7	5800138	5	CLEVIS PIN ROUNDED SNAP
9	2514311	1	HEAT EXCHANGER ASSEMBLY (HV1658 ONLY)
9	2504301	1	HEAT EXCHANGER ASSEMBLY (HV1358 ONLY)
10	6000855	1	HEAT EXCHANGER CORE
12	5800387	2	COTTER HAIR PIN
13	6950558	1	HYDRAULIC PUMP 5/8 GPM (P)
14	5400861	1	BATTERY
	5401564	1	BATTERY STRAP
15	6900454	1	PUMP BRACKET
	6901502	1	PUMP BRACKET COVER
16	5400765	2.4FT	POSITIVE BATTERY WIRE
	5401565	1	TERM PROTECTOR 6 GA RED
	5401600	1	TERM, RING 8-6, 3/8 STUD
	5400883	1	TERM, RING 8-6, 1/4 STUD
18	6001883	1	COUPLING 1/2" MALE
20	2514381	1	CONTROL PANEL BLACK- SINGLE VALVE
21	7600871	2	TIRE AND RIM ASSEMBLY
22	6004723	1	HYDRAULIC FILTER ELEMENT
23	6000904	1	HYDRAULIC FILTER ASSEMBLY
24	6004722	1	HYDRAULIC FILTER HEAD
25	2504743	1	AXLE
26	5401511	1	FAN RELAY
27	6205679	1	RGC LOGO DECAL
28	6001884	1	COUPLING 1/2" FEMALE
29	2504720	1	UNLOCK FOR CONSTRUCTION VALVE
30	5007557	3	SPACER FOR BRAND VALVE
31	6000865	1	1/2" BALL VALVE
32	6004795	1	VALVE-HYDRAPAK WINCH CONTROL VALVE
33	6004802	1	DETENT KIT DOUBLE BRAND VALVE
34	6700873	1	COUPLING HALF 1/2" – PUMP
35	6700907	1	COUPLING INSERT
36	6700906	1	COUPLING HALF 1" – ENGINE
37	6000884	1	ADAPTER RING MOTOR MOUNT BF4
38	6205651	1	DECAL "5 GPM"
39	6205652	1	DECAL "8 GPM"

2543009 HH1358C BI-DIRECT  
 2543003 HV1658C BI-DIRECT



**Figure 6-1.**  
**HH1358C, HV1658C, and HV1858C Assembly Drawing**