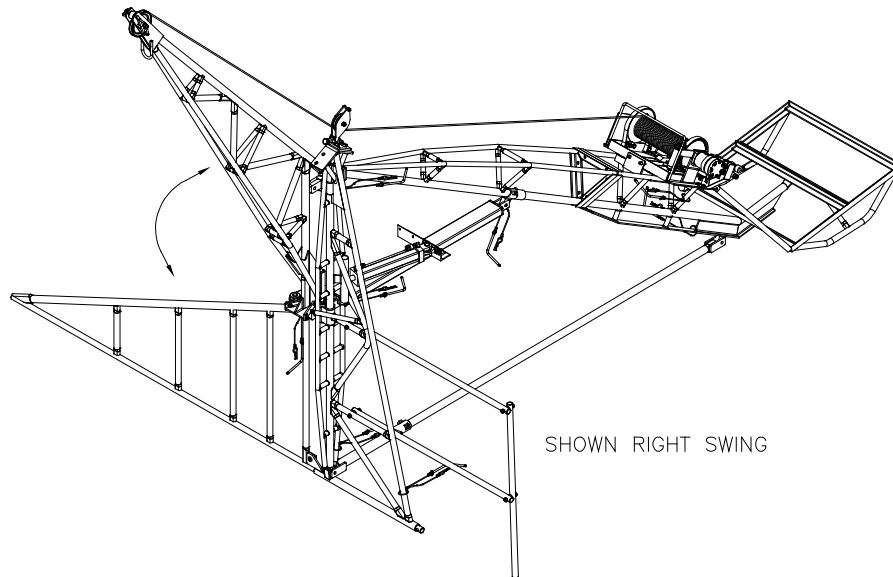
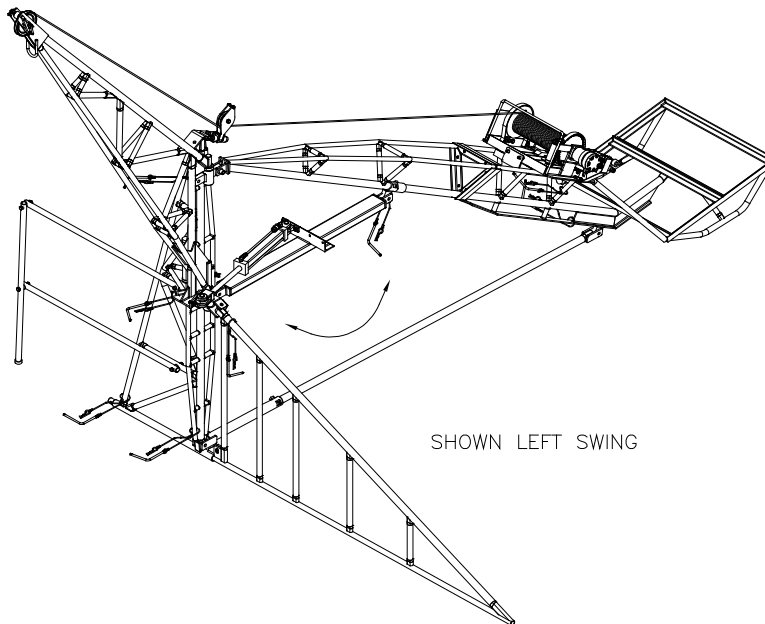




HS2000 HYDRAULIC LEFT OR RIGHT SWING HOIST INSTRUCTIONS



SHOWN RIGHT SWING



SHOWN LEFT SWING

REIMANN & GEORGER CORPORATION
HOISTING PRODUCTS
P/N 6102031

BUFFALO, NY
04/07/15

8 PARTS LIST

The following parts list applies to the hoist assembly only. The parts lists for the HydraWinch and HydraPak units are in the separate manuals for these items. Each item number on this parts list can be matched with the item number shown on the Figure 8-1 assembly drawing.

Item Number	Part Number	Quantity	Description
1	0713297	1	Boom Bi-Dir
2	0713291	1	Front Leg/Stabilizer Assembly Bi-Dir
3	0700290	1	Upper/Lower Counterweight Assembly
4	0713294	1	Cylinder Mount Bi-Dir
5	0700288	9	Pin & Cable Assembly
6	0700293	1	Brace
7	0700292	1	Socket
8	7311001	1	Pivot Block (°15)
9	7304141	1	Sheave Assembly
10	7300222	1	Block with Hook
11	7300348	1	Shackle
12	7314700	1	Swivel Hook with Latch
13	5000214	4	Lockscrew
14	0700299	1	Stabilizer
15	0700298	1	Front Leg
16	0700289	1	Cable Keeper
17	6000426	1	Cylinder
18	6000969	1	Connector, Female
19	6000967	1	Connector, Male
20	6007429	2	Pin
21	5800387	2	Hairpins
*22	0706750	2	Bearing
*23	0700287	1	Upper Counterweight Leg
*24	0700286	1	Lower Counterweight Leg
26	0700890	2	Fitting
**	0704926	1	Cylinder Assembly
27	0132000	40	Ballast Weights
***	0700499	1	HOSE ASSY 10'X1/2" W/QD'S (PR) Winch
***	0700500	1	HOSE ASSY 10'X1/4" W/QD'S (PR) Swing

* Includes hardware

** Includes items #17, 18, 19, and 26 and can be ordered as a unit.

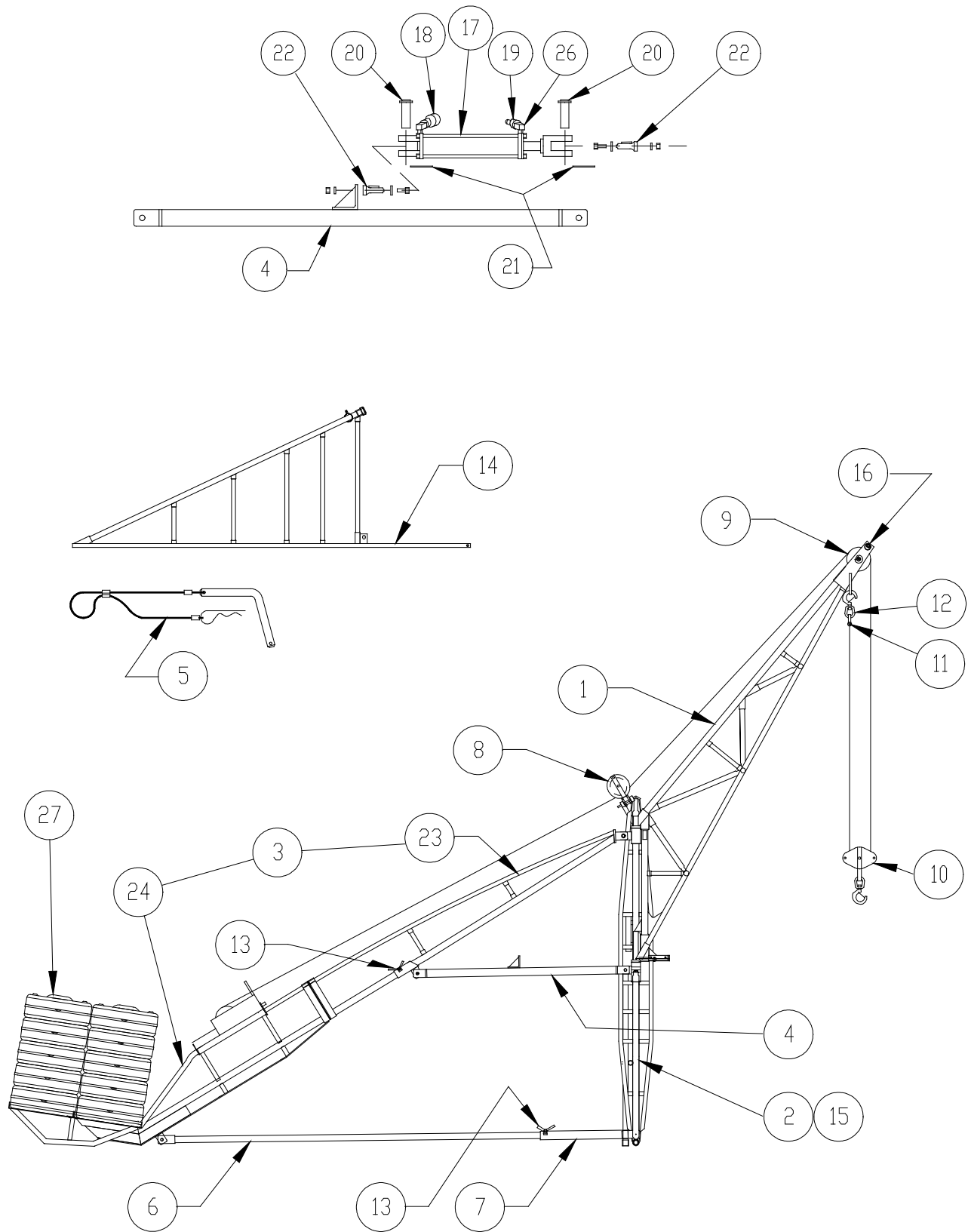


Figure 8-1.
HS2000 Assembly Drawing