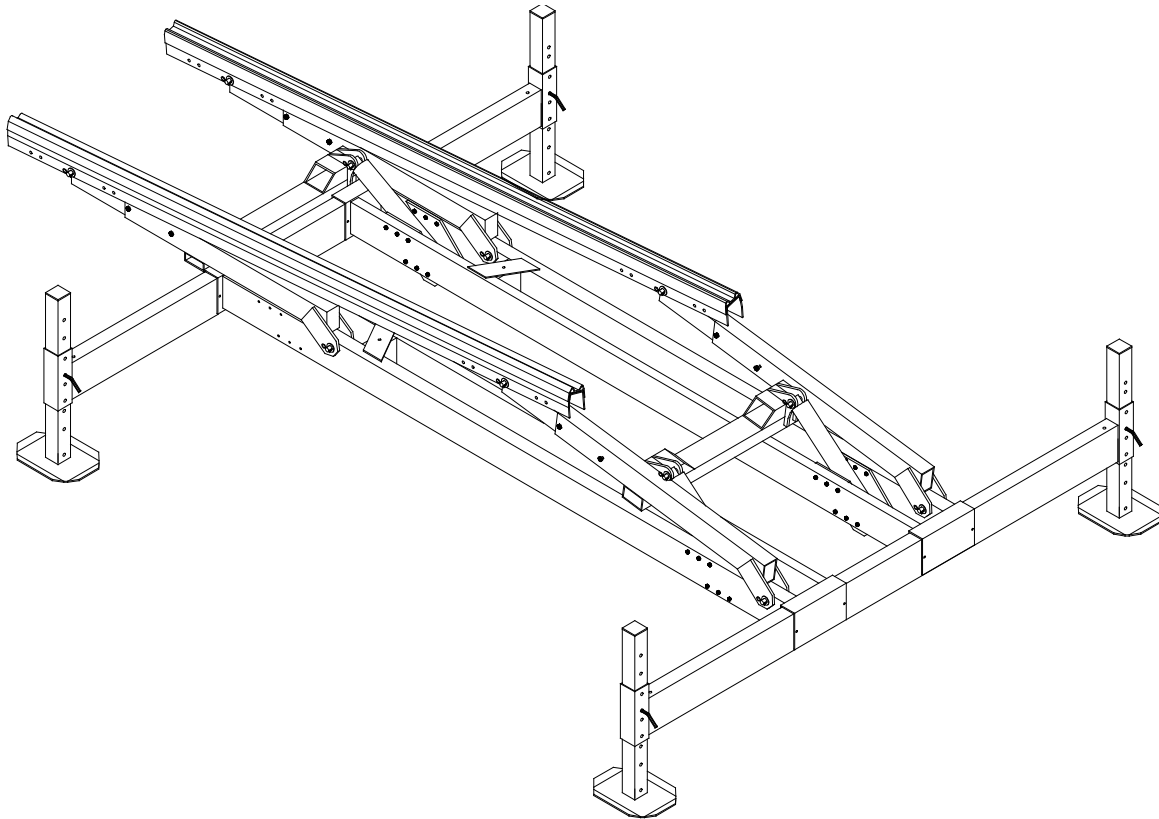




HL9000/HL9000XL HYDRAULIC BOAT LIFT INSTRUCTIONS



REIMANN & GEORGER CORPORATION
MARINE PRODUCTS
P/N 6114164

BUFFALO, NY
03/27/15

7 PARTS LISTS

Each reference number or letter in the following parts lists can be matched with the reference number or letter referred to in both the text and illustrations of Chapter 3, Installation and Setup.



WARNING:

FAILURE TO APPLY A SUITABLE LUBRICANT TO THE MATING SURFACES OF STAINLESS STEEL THREADED FASTENERS MAY CAUSE GALLING AND/OR SEIZING OF ASSEMBLY.

7.1 HL9K BOAT LIFT

| SECTION # | PART # | QTY | DESCRIPTION |
|-----------|---------|-----|--|
| 7.3 | 4107125 | 1 | HL9K BUNDLE 1 of 2 |
| 7.5 | 4107131 | 1 | HL9K COMMON BUNDLE #2 |
| 7.7 | 4107101 | 1 | HL ALUM BUNK BUNDLE |
| 7.8 | 4107409 | 1 | HL9K CYLINDER & HOSE ASSY PLATED (STANDARD) |
| | 4107408 | | HL9K CYL W/STAINLESS HOSE & FTG'S (OPTIONAL) |
| 7.9 | 4107210 | 1 | HL9K HARDWARE CARTON OF PARTS |
| | 4107419 | 1 | HL CONTROL BOX—STANDARD |

7.2 HL9KXL BOAT LIFT

| SECTION # | PART # | QTY | DESCRIPTION |
|-----------|---------|-----|--|
| 7.4 | 4107128 | 1 | HL9KXL BUNDLE 1 of 2 |
| 7.5 | 4107131 | 1 | HL9K COMMON BUNDLE #2 |
| 7.7 | 4107101 | 1 | HL ALUM BUNK BUNDLE |
| 7.8 | 4107409 | 1 | HL9K CYLINDER & HOSE ASSY PLATED (STANDARD) |
| | 4107408 | | HL9K CYL W/STAINLESS HOSE & FTG'S (OPTIONAL) |
| 7.9 | 4107210 | 1 | HL9K HARDWARE CARTON OF PARTS |
| | 4107419 | 1 | HL CONTROL BOX—STANDARD |

7.3 HL9K BUNDLE 1 of 2 (48")

| REF # | PART # | QTY | DESCRIPTION |
|-------|---------|-----|--|
| 8 | 4107582 | 1 | HL9K LIFT ARM ASSEMBLY- REAR |
| 9 | 4107428 | 1 | HL9K LIFT ARM ASSEMBLY- FRONT |
| 10 | 4107604 | 4 | HL9K LIFTARM EXTENSION—48" LIFT HEIGHT |

7.4 HL9KXL BUNDLE 1 of 2 (60")

| REF # | PART # | QTY | DESCRIPTION |
|-------|---------|-----|--|
| 8 | 4107582 | 1 | HL9K LIFT ARM ASSEMBLY- REAR |
| 9 | 4107428 | 1 | HL9K LIFT ARM ASSEMBLY- FRONT |
| 10 | 4107601 | 4 | HL9K LIFTARM EXTENSION—60" LIFT HEIGHT |

7.5 HL9K COMMON BUNDLE #2

| REF # | PART # | QTY | DESCRIPTION |
|-------|---------|-----|-----------------------------|
| 3 | 4107588 | 2 | HL9K LEG ASSEMBLY |
| 4 | 4107591 | 1 | HL9K MAIN FRAME ASSEMBLY LH |
| 5 | 4107594 | 1 | HL9K MAIN FRAME ASSEMBLY RH |

7.6 HL EXTENSION LEGS

| REF # | PART # | QTY | DESCRIPTION |
|-------|------------|-----|---|
| 2 | as ordered | 4 | HL EXTENSION LEGS 3' to 9' LENGTHS (in 2' increments) |

7.7 HL BUNK BUNDLE

| REF # | PART # | QTY | DESCRIPTION |
|-------|---------|-----|--------------------------------|
| 12 | 4107410 | 2 | HL BUNK ASSEMBLY (2pcs. Total) |

7.8 4107409 HL9K HYDRAULIC CYLINDERS & FITTINGS PLATED (STANDARD)

| REF # | PART # | QTY | DESCRIPTION |
|-------|---------|-----|--|
| 11 | 6041071 | 4 | HYDRAULIC CYLINDER 3 X 15-7/8 |
| S | 4107925 | 4 | HOSE ASSEMBLY 4' W/PLTD FTG'S |
| T | 4107922 | 4 | HOSE ASSEMBLY 2' W/PLTD FTG'S |
| U | 4100020 | 2 | HOSE ASSEMBLY 20' W/PLTD FTG'S |
| V | 5641010 | 4 | 3/8 X 1/4 ADAPTER |
| W | 5641020 | 6 | 1/4 TEE |
| X | 6000700 | 1 | 1/4 FEMALE COUPLING (SNAP TO CONNECT) |
| | 6041364 | | 1/4 FEMALE COUPLING (SCREW TO CONNECT) |
| Y | 6000701 | 1 | 1/4 MALE COUPLING (SNAP TO CONNECT) |
| | 6041365 | | 1/4 MALE COUPLING (SCREW TO CONNECT) |
| ZZ | 4107931 | 4 | HOSE ASSEMBLY 4-1/2' W/PLTD FTG'S |
| YY | 5641073 | 4 | 3/8 X 1/4 90 DEGREE ADAPTER |

4107408 HL9K HYDRAULIC CYLINDERS W/STAINLESS HOSE & FITTINGS (OPTIONAL)

| REF # | PART # | QTY | DESCRIPTION |
|-------|---------|-----|--|
| 11 | 6041071 | 4 | HYDRAULIC CYLINDER 3 X 15-7/8 |
| S | 4107955 | 4 | HOSE ASSEMBLY 4' W/STAINLESS FTG'S |
| T | 4107952 | 4 | HOSE ASSEMBLY 2' W/STAINLESS FTG'S |
| U | 4107964 | 2 | HOSE ASSEMBLY 20' W/STAINLESS FTG'S |
| V | 5641010 | 4 | 3/8 X 1/4 ADAPTER |
| W | 5694102 | 6 | 1/4 TEE-STAINLESS |
| X | 6041364 | 1 | 1/4 FEMALE COUPLING (SCREW TO CONNECT) |
| Y | 6041365 | 1 | 1/4 MALE COUPLING (SCREW TO CONNECT) |
| ZZ | 4107958 | 4 | HOSE ASSEMBLY 4-1/2' W/STAINLESS FTG'S |
| YY | 5694101 | 4 | 3/8 X 1/4 90 DEGREE ADAPTER STAINLESS |

7.9 HL9K HARDWARE CARTON OF PARTS

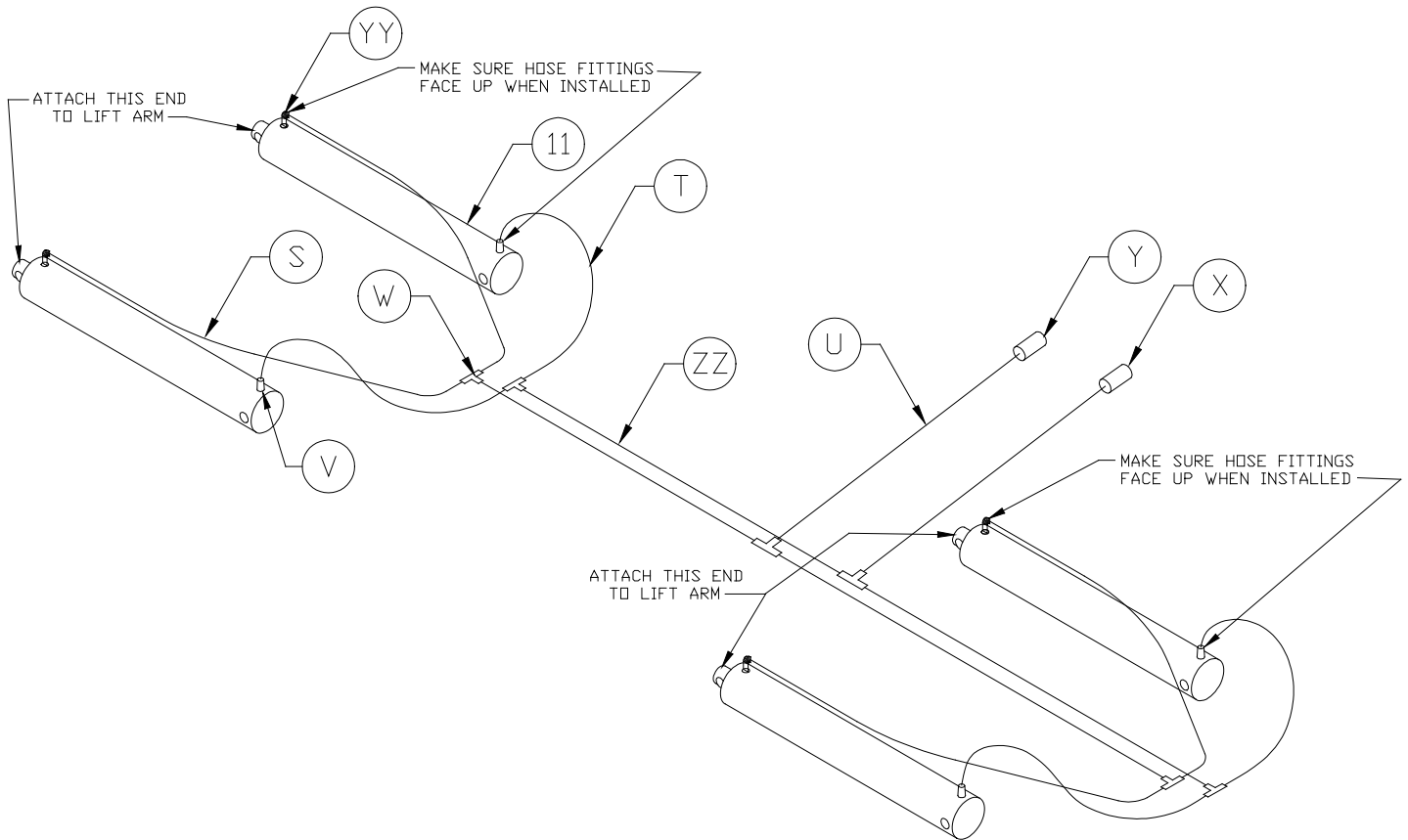
| REF # | PART # | QTY | DESCRIPTION |
|-------|----------------|----------|---|
| A | 4100900 | 1 | HL LEG PIN SET (4 ea. PINS & CLIPS) |
| 1 | 4107537 | 4 | FOOT PLATE ASSY |
| 6 | 4107576 | 4 | CYLINDER SUPPORT—RIGHT HAND |
| 7 | 4107573 | 4 | CYLINDER SUPPORT—LEFT HAND |
| Z | 6436105 | 4 | 3" SQUARE PLASTIC CAP |
| | 4107315 | 1 | HL9K BAG OF BOLTS consisting of: |
| C | 5897018 | 12 | 1/2 NYLOCK HEX NUT |
| D | 5896292 | 12 | 1/2 X 4 HEX HEAD CAP SCREW |
| E | 5896262 | 32 | 3/8 X 4-1/2 HEX HEAD CAP SCREW |
| F | 5896406 | 56 | 3/8 SAE FLAT WASHER |
| G | 5806243 | 56 | 3/8 SPLIT LOCK WASHER |

| | | | |
|----|----------------|----------|--|
| H | 5896377 | 56 | 3/8 HEX NUT |
| I | 5896257 | 24 | 3/8 X 3-1/2 HEX HEAD CAP SCREW |
| | 4107318 | 1 | HL9K CLEVIS PIN BAG consisting of: |
| J | 4107934 | 8 | 2-1/4" OD X .91" ID X 1/16" THICK NYLON LIFTARM WASHER |
| K | 5894109 | 4 | HL CLEVIS PIN 3/4" X 5" HEADED |
| L | 4107919 | 4 | 7/8 X 7-1/16 CYLINDER BOTTOM CLEVIS PIN |
| M | 4107913 | 4 | 7/8 X 4-1/8 CYLINDER TOP CLEVIS PIN |
| N | 4107949 | 8 | 2" OD X 29/32" ID X 3/16" THICK HL CYL SPACER |
| O | 4107937 | 8 | 1-3/4" OD X 25/32 ID X 1/8 THICK NYLON BUNK WASHER |
| P | 5894108 | 24 | 5/32 X 1-3/4 COTTER PIN |
| Q | 5893625 | 12 | 7/8 SAE FLAT WASHER |
| AA | 4107935 | 8 | HL9K CYL CLEVIS PIN WASHER SS |
| R | 5896417 | 4 | 3/4 SAE FLAT WASHER |
| B | 5894110 | 4 | HL CLEVIS PIN 7/8" X 5" HEADED |



WARNING:

HYDRAULIC CYLINDER HOSE FITTINGS MUST FACE UPWARDS TO AVOID DAMAGING THE FITTINGS OR HOSES IF THEY CONTACT THE GROUND DURING OPERATION. DAMAGE TO BOAT OR LIFT FROM SUDDEN LOSS OF HYDRAULIC FLUID COULD RESULT.



**Figure 7-1
Hydraulic Cylinder and Hose Assembly**

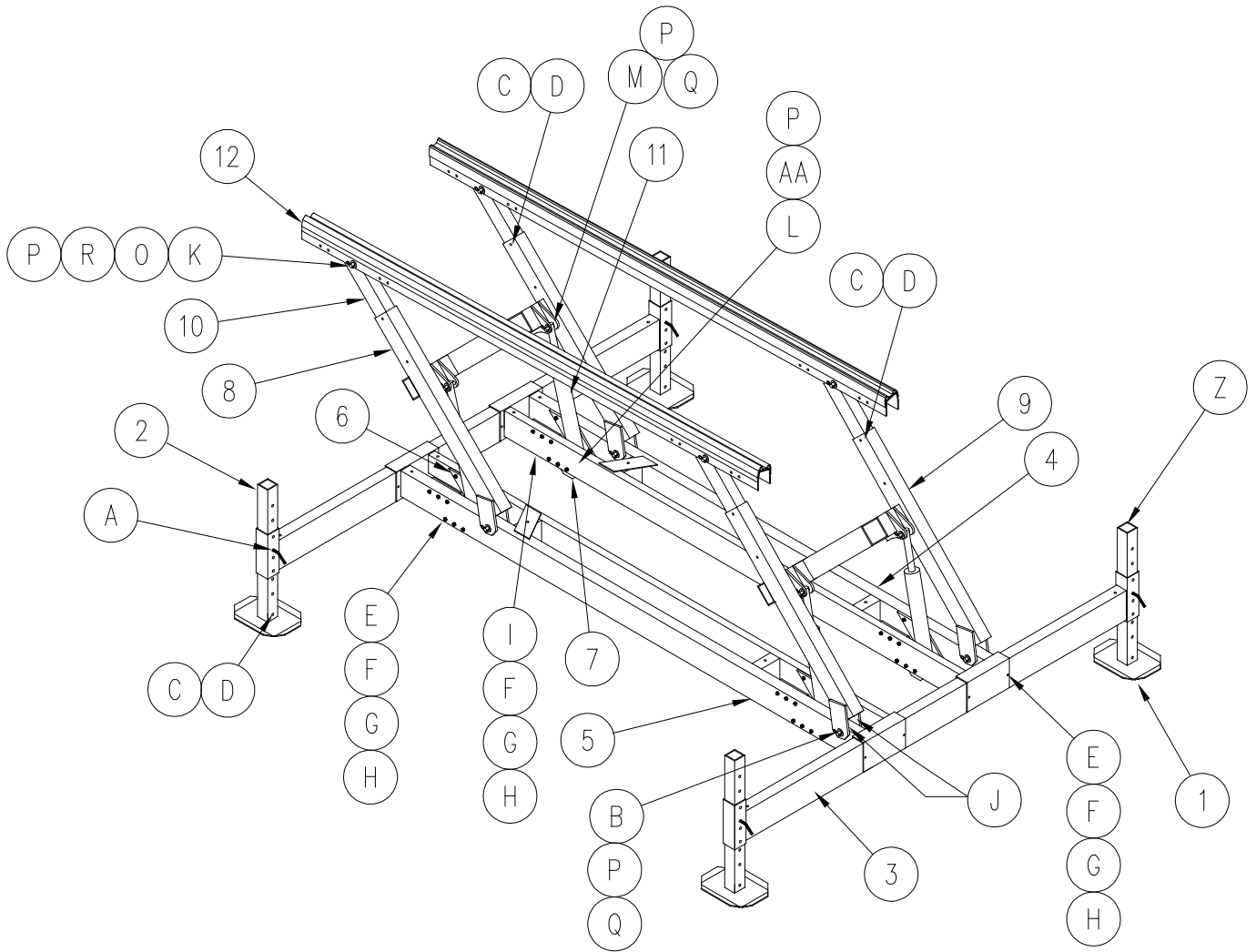


Figure 7-2
Complete Hydraulic Lift Assembly