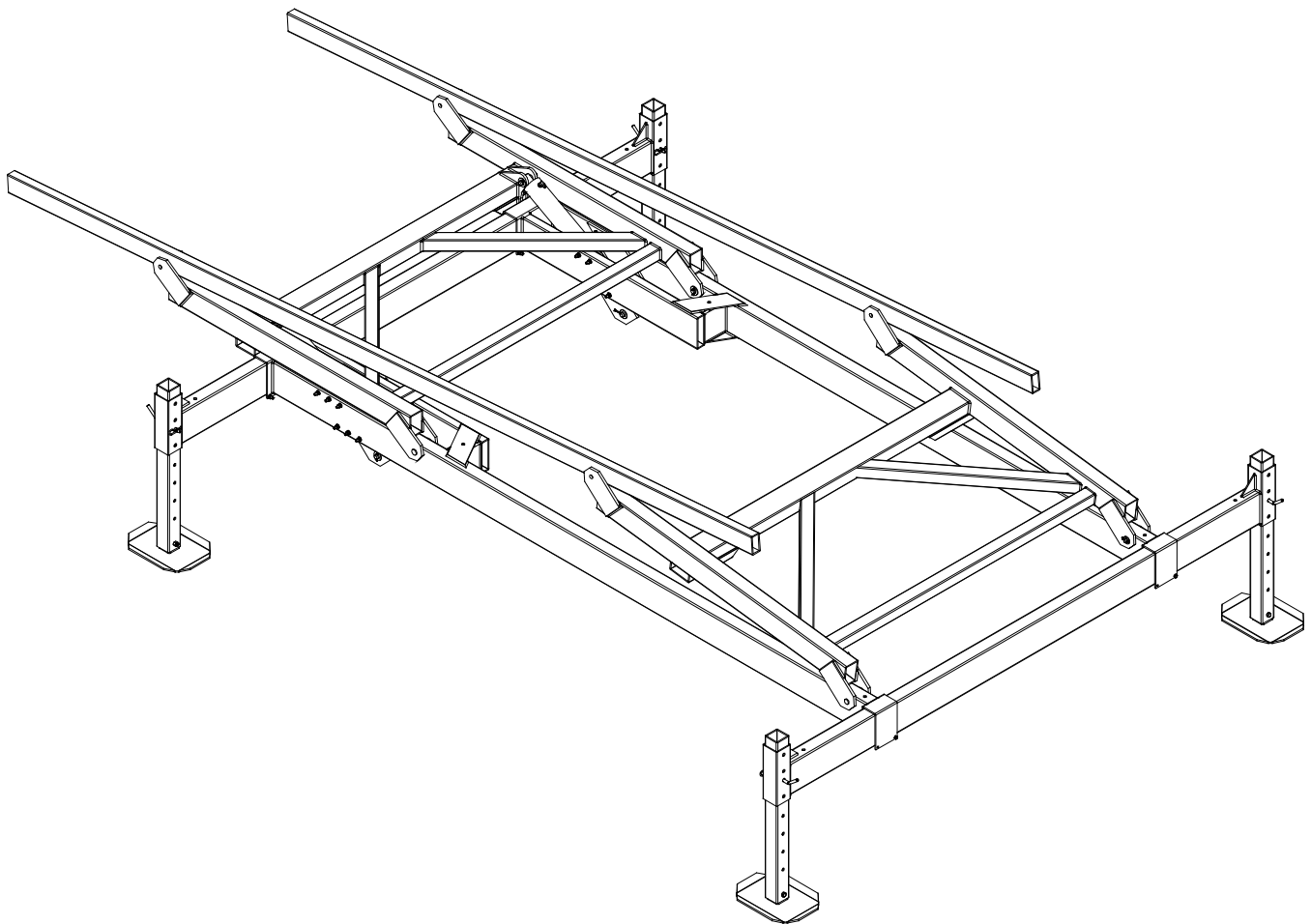




HL4K(48") & HL4K(60") SEAPLANE HYDRAULIC LIFT INSTRUCTIONS



REIMANN & GEORGER CORPORATION
MARINE PRODUCTS
P/N 6114---

BUFFALO, NY
03/1718

7 PARTS LISTS

Each reference number or letter in the following parts lists can be matched with the reference number or letter referred to in both the text and illustrations of Chapter 3, Installation and Setup.



WARNING:

FAILURE TO APPLY A SUITABLE LUBRICANT TO THE MATING SURFACES OF STAINLESS STEEL THREADED FASTENERS MAY CAUSE GALLING AND/OR SEIZING OF ASSEMBLY.

7.1 4108013 HL40120-48" SEAPLANE LIFT

| SECTION # | PART # | QTY | DESCRIPTION |
|-----------|---------|-----|-----------------------------------|
| 7.2 | 4108107 | 1 | HL4K(48") SEAPLANE BUNDLE 1 of 2 |
| 7.3 | 4108110 | 1 | HL4K (COM) SEAPLANE BUNDLE 2 of 2 |

7.1.1 4108107 HL4K-48" SEAPLANE Lift BUNDLE 1 of 2

| REF # | PART # | QTY | DESCRIPTION |
|-------|---------|-----|------------------------------------|
| 8 | 4108518 | 1 | HL4K(48") LIFT ARM ASSEMBLY- REAR |
| 9 | 4108409 | 1 | HL4K(48") LIFT ARM ASSEMBLY- FRONT |

7.1.2 4108110 HL4K(COM) SEAPLANE Lift BUNDLE 2 of 2

| REF # | PART # | QTY | DESCRIPTION |
|-------|---------|-----|---|
| 3 | 4107530 | 2 | HL4K LEG ASSEMBLY |
| 4 | 4107538 | 1 | HL4K MAIN FRAME ASSEMBLY LH |
| 5 | 4107539 | 1 | HL4K MAIN FRAME ASSEMBLY RH |
| 7.4 | 4108403 | 1 | HL4&5K SEAPLANE CYLINDER & HOSE ASSY |
| 7.5 | 4107200 | 1 | HL4K HARDWARE CARTON OF PARTS |
| 12 | 4108607 | 2 | HL4K SEAPLANE MAIN SUPT TUBE 144" DRILL |

7.2 4108016 HL4K-60" SEAPLANE LIFT

| SECTION # | PART # | QTY | DESCRIPTION |
|-----------|---------|-----|----------------------------------|
| 7.2 | 4108113 | 1 | HL4K(60") SEAPLANE BUNDLE 1 of 2 |
| 7.3 | 4108110 | 1 | HL4K(COM) SEAPLANE BUNDLE 2 of 2 |

7.2.1 4108113 HL4K-60" SEAPLANE Lift BUNDLE 1 of 2

| REF # | PART # | QTY | DESCRIPTION |
|-------|---------|-----|------------------------------------|
| 8 | 4108533 | 1 | HL4K(60") LIFT ARM ASSEMBLY- REAR |
| 9 | 4108412 | 1 | HL4K(60") LIFT ARM ASSEMBLY- FRONT |

7.2.2 4108110 HL4K (COM) SEAPLANE Lift BUNDLE 2 of 2

| REF # | PART # | QTY | DESCRIPTION |
|-------|---------|-----|---|
| 3 | 4107530 | 2 | HL4K LEG ASSEMBLY |
| 4 | 4107538 | 1 | HL4K MAIN FRAME ASSEMBLY LH |
| 5 | 4107539 | 1 | HL4K MAIN FRAME ASSEMBLY RH |
| 7.4 | 4108403 | 1 | HL4K SEAPLANE CYLINDER & HOSE ASSY |
| 7.5 | 4108200 | 1 | HL4K HARDWARE CARTON OF PARTS |
| 12 | 4108607 | 2 | HL4K SEAPLANE MAIN SUPT TUBE 144" DRILL |

7.3 HL EXTENSION LEGS

| REF # | PART # | QTY | DESCRIPTION |
|-------|------------|-----|---|
| 2 | as ordered | 4 | HL EXTENSION LEGS 3' to 9' LENGTHS (in 2' increments) |

7.4 4108403 HL4K SEAPLANE HYDRAULIC CYLINDERS & FITTINGS

| REF # | PART # | QTY | DESCRIPTION |
|-------|---------|-----|--|
| 11 | 6041071 | 2 | HYDRAULIC CYLINDER 3 X 15-7/8 |
| S | 4107926 | 2 | HOSE ASSEMBLY 6' |
| T | 4107925 | 2 | HOSE ASSEMBLY 4' |
| U | 4100020 | 2 | HOSE ASSEMBLY 20' (2013) |
| V | 5641075 | 2 | 3/8 X 1/4 ADAPTER 45-DEGREE |
| W | 5641020 | 2 | 1/4 TEE |
| X | 6041364 | 1 | 1/4 FEMALE COUPLING (SCREW TO CONNECT) |
| Y | 6041365 | 1 | 1/4 MALE COUPLING (SNAP TO CONNECT) |
| AA | 5641073 | 2 | 3/8 x 1/4 90-DEGREE ADAPTER |

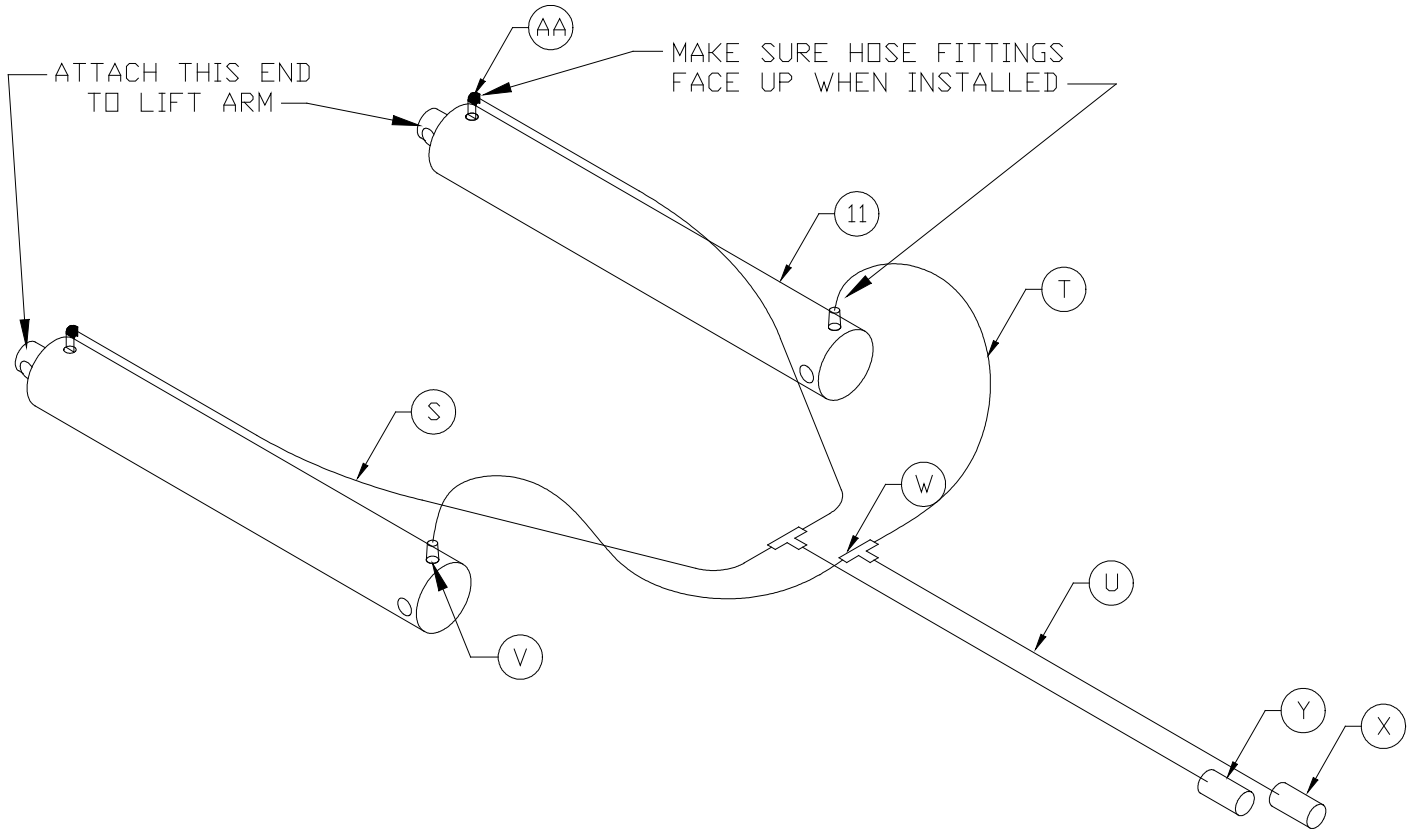
7.5 4108200 HL4K SEAPLANE HARDWARE CARTON OF PARTS

| REF # | PART # | QTY | DESCRIPTION |
|-------|----------------|----------|--|
| A | 4100900 | 1 | HL LEG PIN SET (4 ea. PINS & CLIPS) |
| 1 | 4107534 | 4 | FOOT PLATE ASSY |
| 6 | 4107546 | 2 | CYLINDER SUPPORT—LEFT HAND |
| 7 | 4107549 | 2 | CYLINDER SUPPORT—RIGHT HAND |
| Z | 6436105 | 4 | 3" SQUARE PLASTIC CAP |
| 13 | 4107796 | 4 | HL PLATFORM LIFTARM PIVOT PLATE |
| | 4108300 | 1 | HL4K SEAPLANE BAG OF BOLTS consisting of: |
| C | 5897018 | 8 | 1/2 NYLOCK HEX NUT |
| D | 5896292 | 8 | 1/2 X 4 HEX HEAD CAP SCREW |
| F | 5896406 | 30 | 3/8 SAE FLAT WASHER |
| G | 5806243 | 30 | 3/8 SPLIT LOCK WASHER |
| H | 5896377 | 30 | 3/8 HEX NUT |
| I | 5896257 | 30 | 3/8 X 3-1/2 HEX HEAD CAP SCREW |
| E | 5896183 | 4 | 3/4-10 X 4-1/2 HEX HEAD CAP SCREW |
| S | 5897014 | 4 | 3/4-10 NYLOCK HEX NUT |
| | 4108303 | 1 | HL4K SEAPLANE CLEVIS PIN BAG consisting of: |
| J | 4107934 | 16 | 2-1/4" OD X .91" ID X 1/16" THICK NYLON LIFTARM WASHER |
| K | 5894105 | 6 | HL CLEVIS PIN 3/4" X 4-1/8" |
| L | 4107919 | 2 | 7/8 X 7-1/16 CYLINDER BOTTOM CLEVIS PIN |
| M | 4107913 | 4 | 7/8 X 4-1/8 CYLINDER TOP CLEVIS PIN |
| N | 4107934 | 16 | 2-1/4" OD X 1/16" THICK HL CYL SPACER |
| P | 5894108 | 18 | 5/32 X 1-3/4 COTTER PIN |
| Q | 5893625 | 12 | 7/8 SAE FLAT WASHER |
| R | 5896417 | 6 | 3/4 SAE FLAT WASHER |



WARNING:

HYDRAULIC CYLINDER HOSE FITTINGS MUST FACE UPWARDS TO AVOID DAMAGING THE FITTINGS OR HOSES IF THEY CONTACT THE GROUND DURING OPERATION. DAMAGE TO BOAT OR LIFT FROM SUDDEN LOSS OF HYDRAULIC FLUID COULD RESULT.



**Figure 7-1
Hydraulic Cylinder and Hose Assembly**

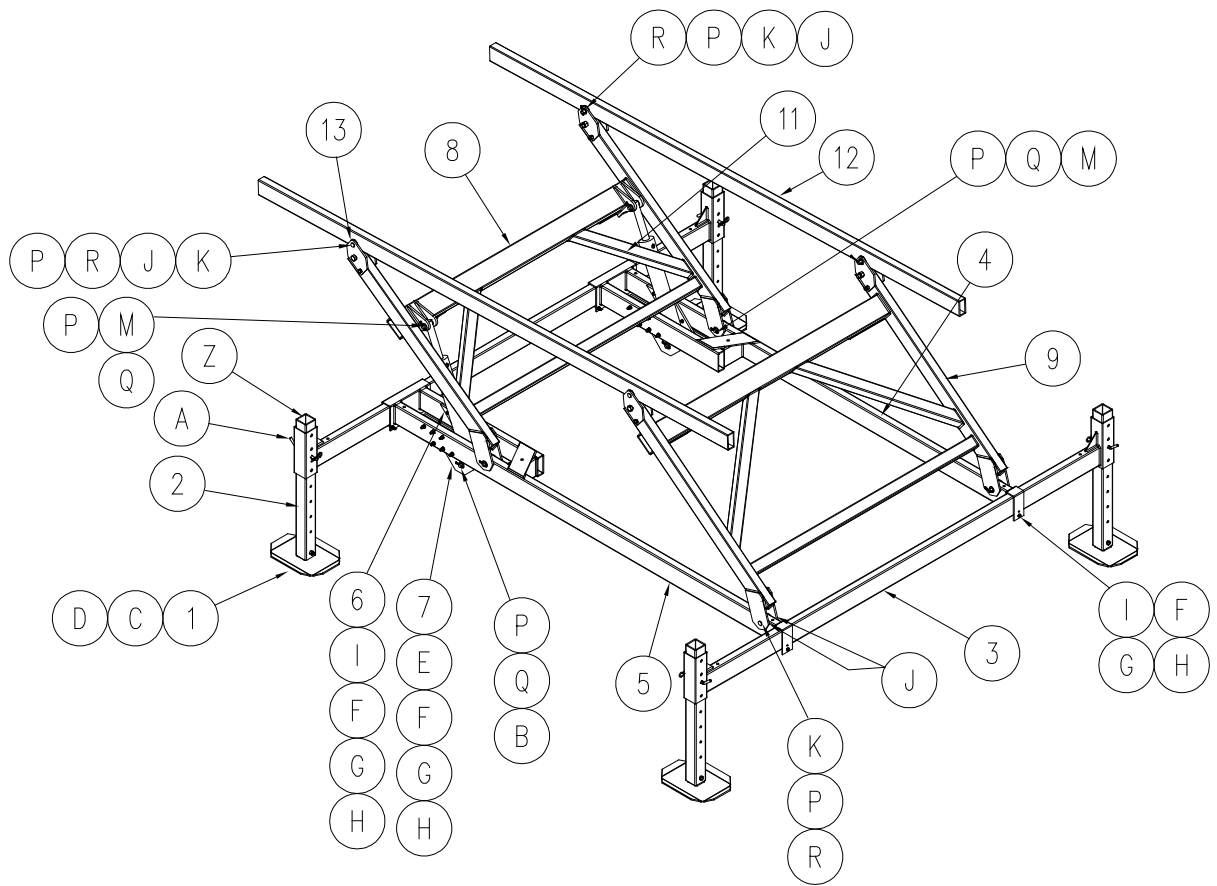


Figure 7-2
Complete Hydraulic Lift Assembly