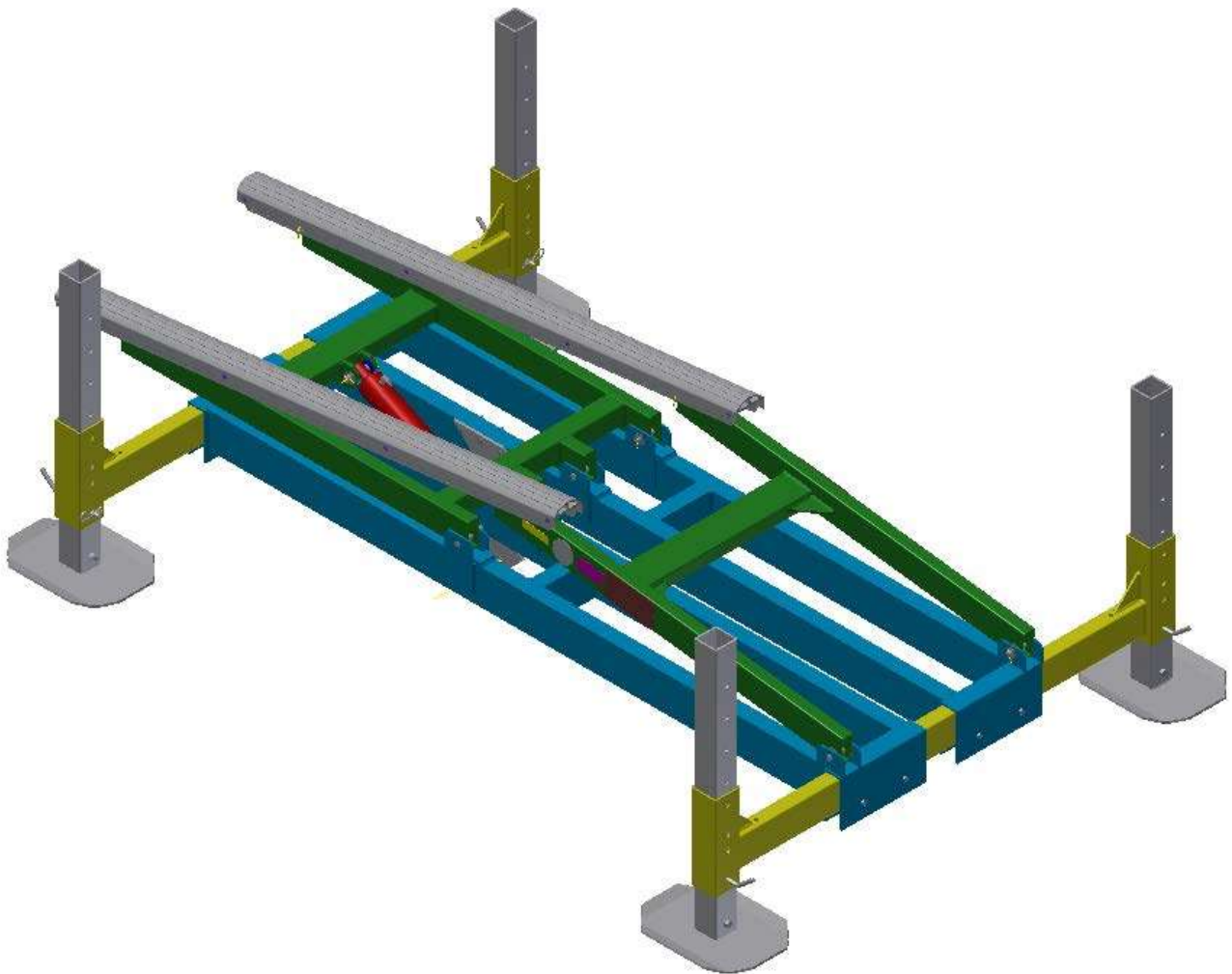




# HL20058-48"/HL17558-60" HYDRAULIC BOAT LIFT INSTRUCTIONS

(CYL LARGE END CAP)



REIMANN & GEORGER CORPORATION  
MARINE PRODUCTS  
P/N 6112---

BUFFALO, NY  
5/13/13

## 7 PARTS LISTS

Each reference number or letter in the following parts lists can be matched with the reference number or letter referred to in both the text and illustrations of Chapter 3, Installation and Setup.



### **WARNING:**

**FAILURE TO APPLY A SUITABLE LUBRICANT TO THE MATING SURFACES OF STAINLESS STEEL THREADED FASTENERS MAY CAUSE GALLING AND/OR SEIZING OF ASSEMBLY.**

### 7.1 4107031 HL20058-48" BOAT LIFT

REF #	PART #	QTY	DESCRIPTION
1	4107470	2	HL1.75-2K BUNK ASSY 72"
2	4107553	1	HL1.75-3K CYL SUPT LH WELDMNT
3	4107554	1	HL1.75-2K CYL SUPT RH WELDMNT
4	4107494	1	HL2K FRONT LIFTARM ASSY 48"
5	4107578	1	HL2K REAR LIFTARM WELDMNT 48"
6	4107611	1	HL CLEVIS PIN 3/4 X 6-1/2" SS
7	4107569	1	HL1.75-2K MAIN FRAME WELDMNET RH
8	4107568	1	HL1.75-2K MAIN FRAME WELDMNT LH
10	4107586	2	HL1.75-2K LEG O.A.L. -LARGE POCKET
11	6041069	1	CYLINDER 2-1/2 BORE X 14-3/8" (LARGE END CAP)
12	4107534	4	HL FOOT PLATE ASSY (12X16)
13	4107616	REF	HL EXT LEG 3' DRILL
14	4100505	4	HL/HVL 10 LEG PIN 4"
15	5088387	4	PIN, HAIR COTTER 5/8 TO 1 SHAFT
16	5896414	6	WASHER FLAT SAE 5/8 SS
17	5896292	4	HHCS 1/2-13 X 4 SS
18	5897018	4	NUT HEX NYLOCK 1/2-13 SS
19	5896400	4	WASHER FLAT SAE 1/2 SS
20	5806243	20	WASHER SPLIT LOCK 1/2 SS
21	5896377	20	NUT HEX 3/8-16 SS
22	5896406	20	WASHER FLAT SAE 3/8 SS
23	5896255	20	HHCS 3/8-16 X 3 SS
24	5896417	4	WASHER FLAT SAE 3/4 SS
25	5894113	6	PIN, CLEVIS 5/8 X 3 SS
26	5894112	4	PIN, CLEVIS 1/2 X 4 SS
27	4107914	1	HL CLEVIS PIN 3/4 X 4-3/8 SS
28	4107937	12	HL A/V BUNK WASHER 1-3/4OD X 1/8
29	5894108	10	PIN. COTTER 5/32 X 1-3/4 SS
30	4107949	4	HL CYL SPACER 2" X 29/32" X 3/16"
32	4107946	8	HL A/V BUNK WASHER 1OD X 3/16
33	5641073	1	ADAPTER 90D 9/16SAEM X 7/16JICM
34	589	4	PIN, COTTER 1/8 X 1 SS

**7.2 4107033 HL17558-60" BOAT LIFT**

REF #	PART #	QTY	DESCRIPTION
1	4107470	2	HL1.75-2K BUNK ASSY 72"
2	4107553	1	HL1.75-3K CYL SUPT LH WELDMNT
3	4107554	1	HL1.75-2K CYL SUPT RH WELDMNT
4	4107---	1	HL2K FRONT LIFTARM ASSY 60"
5	4107---	1	HL2K REAR LIFTARM WELDMNT 60"
6	4107611	1	HL CLEVIS PIN 3/4 X 6-1/2" SS
7	4107569	1	HL1.75-2K MAIN FRAME WELDMNET RH
8	4107568	1	HL1.75-2K MAIN FRAME WELDMNT LH
10	4107586	2	HL1.75-2K LEG O.A.L. -LARGE POCKET
11	6041069	1	CYLINDER 2-1/2 BORE X 14-3/8" (LARGE END CAP)
12	4107534	4	HL FOOT PLATE ASSY (12X16)
13	4107616	REF	HL EXT LEG 3' DRILL
14	4100505	4	HL/HVL 10 LEG PIN 4"
15	5088387	4	PIN, HAIR COTTER 5/8 TO 1 SHAFT
16	5896414	6	WASHER FLAT SAE 5/8 SS
17	5896292	4	HHCS 1/2-13 X 4 SS
18	5897018	4	NUT HEX NYLOCK 1/2-13 SS
19	5896400	4	WASHER FLAT SAE 1/2 SS
20	5806243	20	WASHER SPLIT LOCK 1/2 SS
21	5896377	20	NUT HEX 3/8-16 SS
22	5896406	20	WASHER FLAT SAE 3/8 SS
23	5896255	20	HHCS 3/8-16 X 3 SS
24	5896417	4	WASHER FLAT SAE 3/4 SS
25	5894113	6	PIN, CLEVIS 5/8 X 3 SS
26	5894112	4	PIN, CLEVIS 1/2 X 4 SS
27	4107914	1	HL CLEVIS PIN 3/4 X 4-3/8 SS
28	4107937	12	HL A/V BUNK WASHER 1-3/4OD X 1/8
29	5894108	10	PIN, COTTER 5/32 X 1-3/4 SS
30	4107949	4	HL CYL SPACER 2" X 29/32" X 3/16"
32	4107946	8	HL A/V BUNK WASHER 1OD X 3/16
33	5641073	1	ADAPTER 90D 9/16SAEM X 7/16JICM
34	589	4	PIN, COTTER 1/8 X 1 SS

**7.3 4107441 HL1.75-2K HYDRAULIC CYLINDERS & FITTINGS PLATED (STANDARD)**

REF #	PART #	QTY	DESCRIPTION
10	6041069	1	HYDRAULIC CYLINDER 2-1/2" X 14-3/8"(LARGE END CAP)
T	4107943	1	HOSE ASSEMBLY 14' W/ PLT'D FTG'S
U	4100010	1	HOSE ASSEMBLY 12' W/PLT'D FTG'S
V	5641075	1	ADAPTER 45D 3/8 X 1/4 ADAPTER
W	5641073	1	3/8 X 1/4 90 DEGREE ADAPTER
X	6041364	1	1/4 FEMALE COUPLING (SCREW TO CONNECT)
Y	6041365	1	1/4 MALE COUPLING (SCREW TO CONNECT)

7.4 4107442 HL1.75-2K HYDRAULIC CYL ASSY W/STAINLESS HOSE & FITTINGS (OPTIONAL)

REF #	PART #	QTY	DESCRIPTION
10	6041069	1	HYDRAULIC CYLINDER 2-1/2" X 14-3/8"(LARGE END CAP)
T	4107961	1	HOSE ASSEMBLY 18' W/STAINLESS FTG'S
U	4107964	1	HOSE ASSEMBLY 20' W/STAINLESS FTG'S
V	5641010	1	3/8 X 1/4 ADAPTER
W	5694101	1	3/8 X 1/4 90 DEGREE ADAPTER STAINLESS
X	6041364	1	1/4 FEMALE COUPLING (SCREW TO CONNECT)
Y	6041365	1	1/4 MALE COUPLING (SCREW TO CONNECT)
O	4107937	4	1-3/4" OD X 25/32 ID X 1/8 THICK NYLON CYL WASHER
P	5894108	12	5/32 X 1-3/4 COTTER PIN
Q	5896414	4	5/8 SAE FLAT WASHER
R	5896417	4	3/4 SAE FLAT WASHER
S	5896400	4	1/2 SAE FLAT WASHER



**WARNING:**

HYDRAULIC CYLINDER HOSE FITTINGS MUST FACE UPWARDS TO AVOID DAMAGING THE FITTINGS OR HOSES IF THEY CONTACT THE GROUND DURING OPERATION. DAMAGE TO BOAT OR LIFT FROM SUDDEN LOSS OF HYDRAULIC FLUID COULD RESULT.

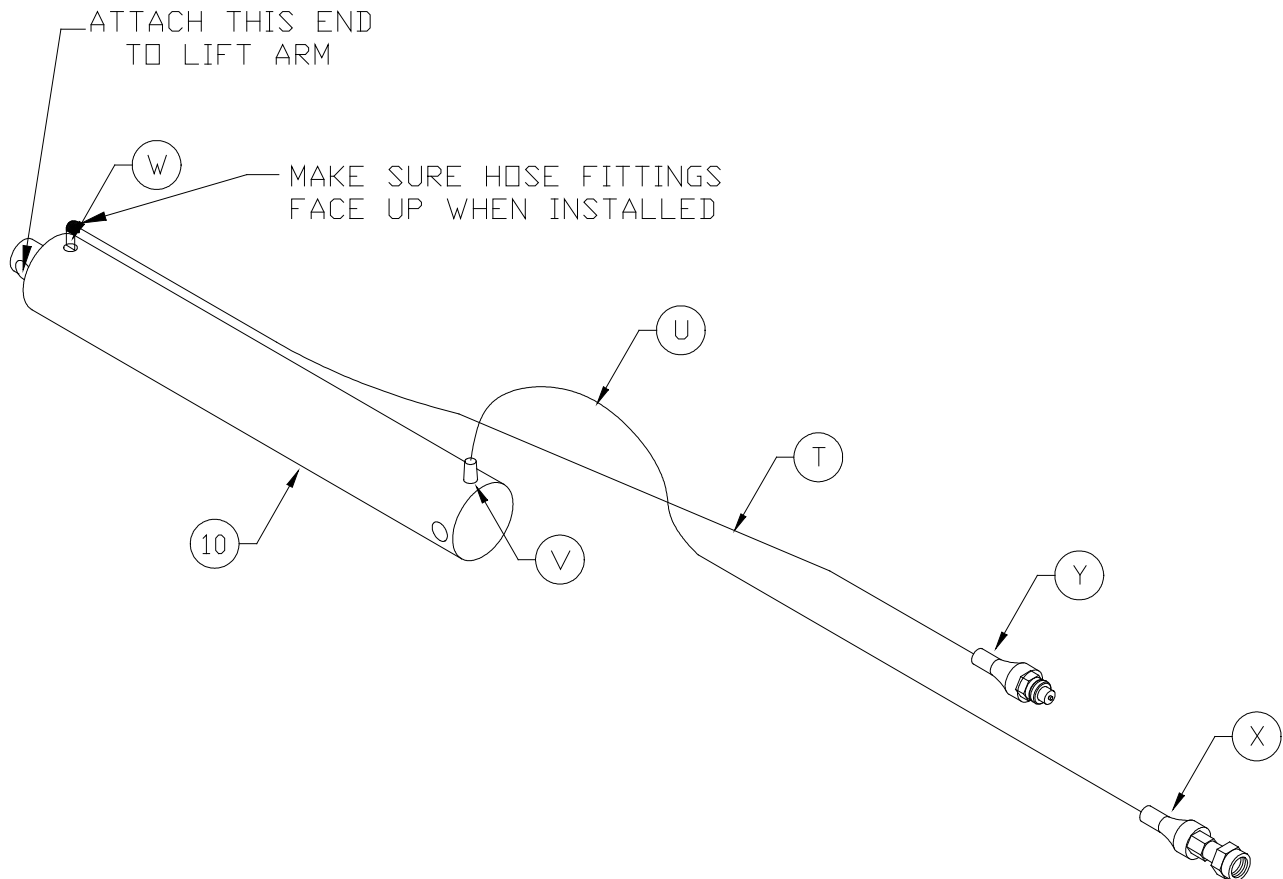


Figure 7-1  
Hydraulic Cylinder and Hose Assembly

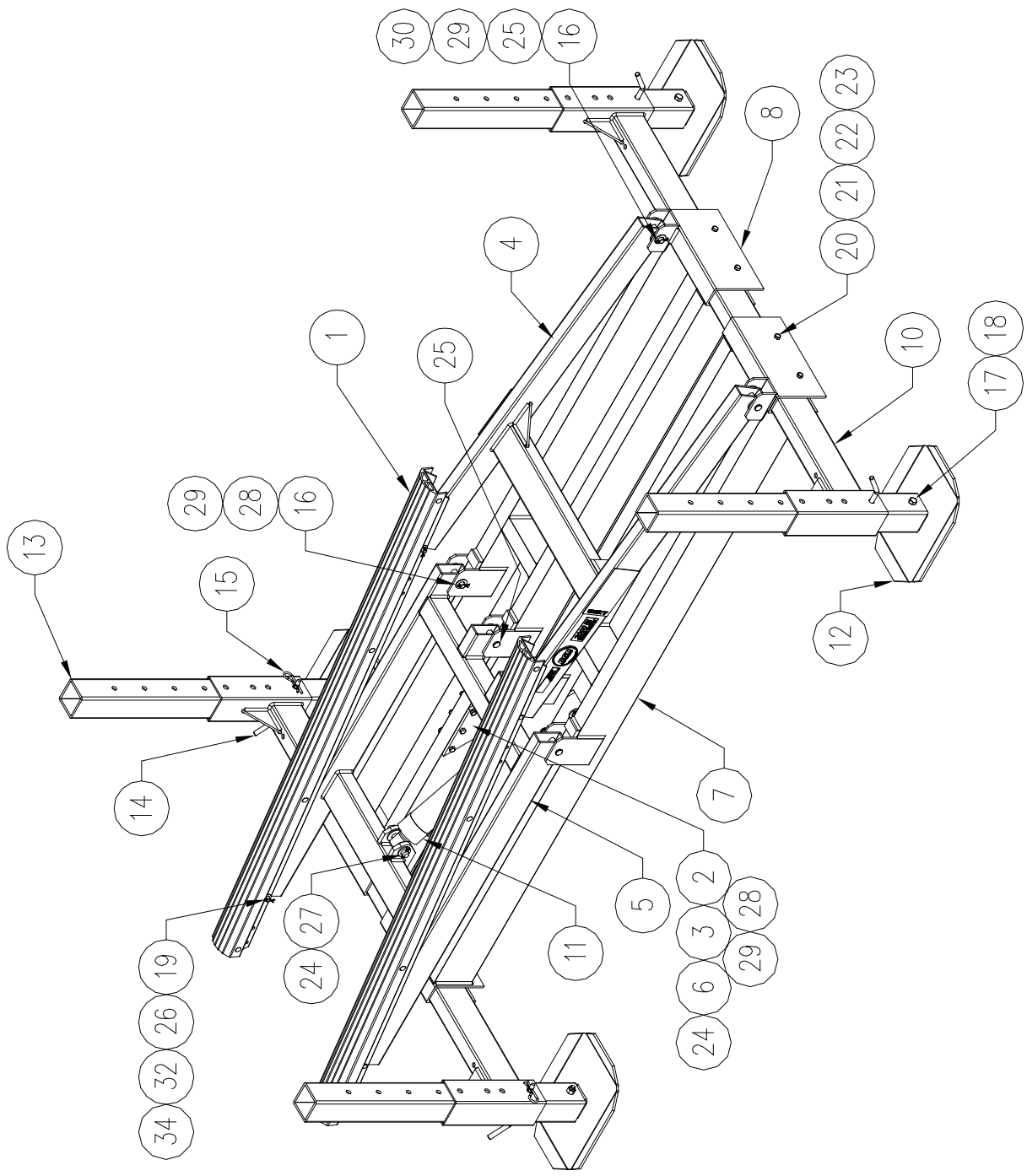


Figure 7-2  
 Complete HL1.5K Hydraulic Lift Assembly