



**HE1512C 460V
ELECTRIC HYDRAPAK
INSTRUCTIONS (2014)**

**REIMANN & GEORGER CORPORATION
CONSTRUCTION PRODUCTS
P/N 6122044**

**BUFFALO, NY
04/29/16**

6 PARTS LIST

The following parts list applies to the HE1512C HydraPak only. Each item number on this parts list can be matched with the item number shown on the Figure 6-1 assembly drawing.

2578142 HE1512 460V HYDRAPAK

Item Number	Part Number	Quantity	Description
1	1608261	1	HV180 PSI GAUGE KIT
3	2501524	1	AXLE—WIDE TIRE
5	2542323	1	CONTROL PANEL
6	6000921	1	FILLER BREATHER CAP
7	6000908	1	SUCTION STRAINER ASSY
9	2510872	1	RESERVOIR
10	2514301	1	HEAT EXCHANGER ASSY
10A	6010855	1	HEAT EXCHANGER CORE
10B	5411513	1	FAN 12"
11	2546004	1	FRAME A SERIES -BLUE
12	2546006	1	FRAME HANDLE
13	2565151	1	MOTOR 15 HP 230V
14	5400183	1	CABLE CONN 3/4" ROUND SERVICE
17	5401505	1	AC/DC POWER SUPPLY
18	5401560	1	WIRE HARNESS
24	5410182	3	FUSE 3 AMP FOR AC/DC CONVERTER & SWITCH
36	5701570	1	VOLT METER
37	5701571	1	HOUR METER
38	5800138	4	CLEVIS PIN ROUNDED SNAP
39	5800387	2	COTTER HAIR PIN
62	6001886	1	COUPLING 1/2" FEMALE
63	6004722	1	HYDRAULIC FILTER HEAD
64	6004723	1	HYDRAULIC FILTER ELEMENT
65	6025423	1	MANIFOLD HV2312
66	6001885	1	COUPLING 1/2" MALE
69	6225423	1	CONTROL PANEL DECAL
72	2578250	1	HE STARTER BOX ASSY 15HP NEMA4X 460VAC
74	6700839	1	COUPLING HALF MOTOR 1-3/8"
75	6725424	1	COUPLING HALF PUMP 3/4"
76	6704798	1	COUPLING INSERT
77	6901503	1	PUMP BRACKET
78	6901504	1	HYDRAULIC PUMP
80	7601523	2	TIRE AND RIM ASSY—WIDE
86	6215123	1	DECAL HE1512 OVERLAY
87	6901502	1	PUMP COVER
91	5410184	1	ENCLOSURE NEMA TYPE 3R (HE1010)
92	5410185	1	ENCLOSURE INNER PANEL (HE1010)
95	5425504	1	TRANSFORMER 460V PRI 230V SEC
100	6015308	3	RELIEF VALVE
101	6015306	1	PILOT LOGIC ELEMENT
102	6015305	1	CHECK VALVE
103	6085401	1	FLOW CONTROL VALVE & HANDLE ASSY 10 POSITION

104	6061132	2	HANDLE ONLY FOR 3 POSITION & 10 POSITION ASSY'S
105	6015304	1	PRESSURE CONTROL HANDLE ASSY 3 POSITION
106	6015303	1	PRESSURE CONTROL VALVE

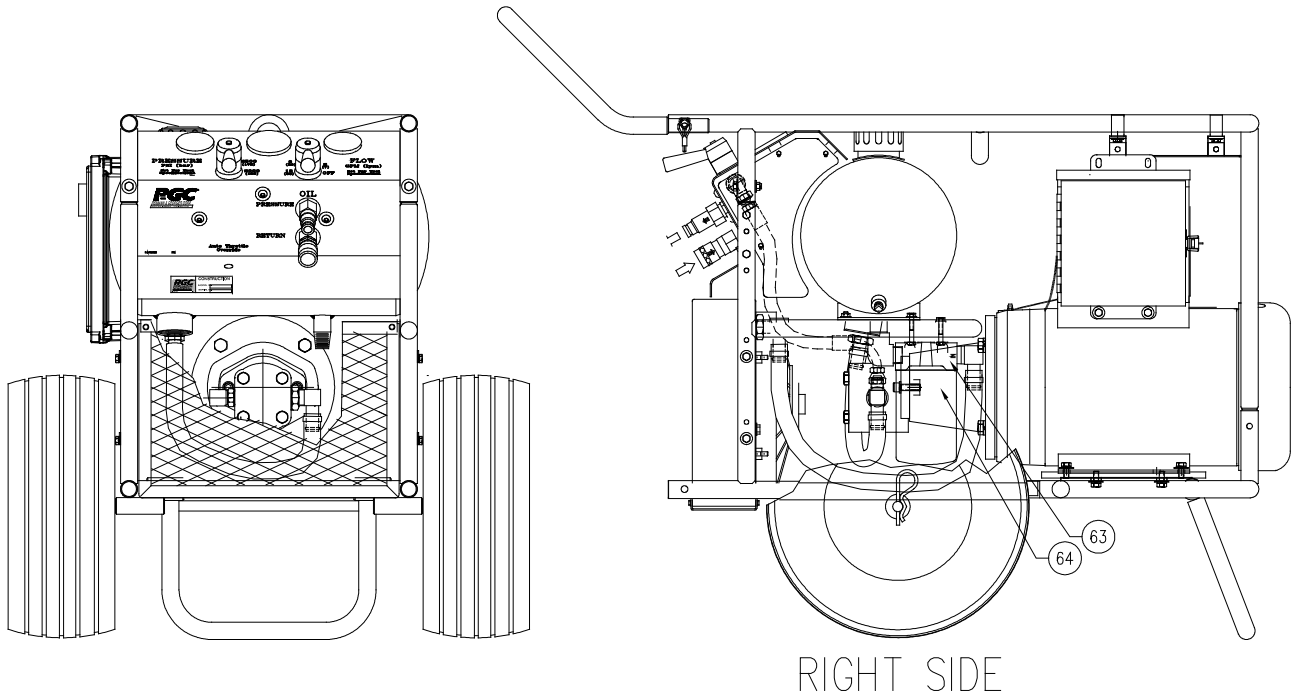


Figure 6-1.
HE1512 460V Assembly Drawing

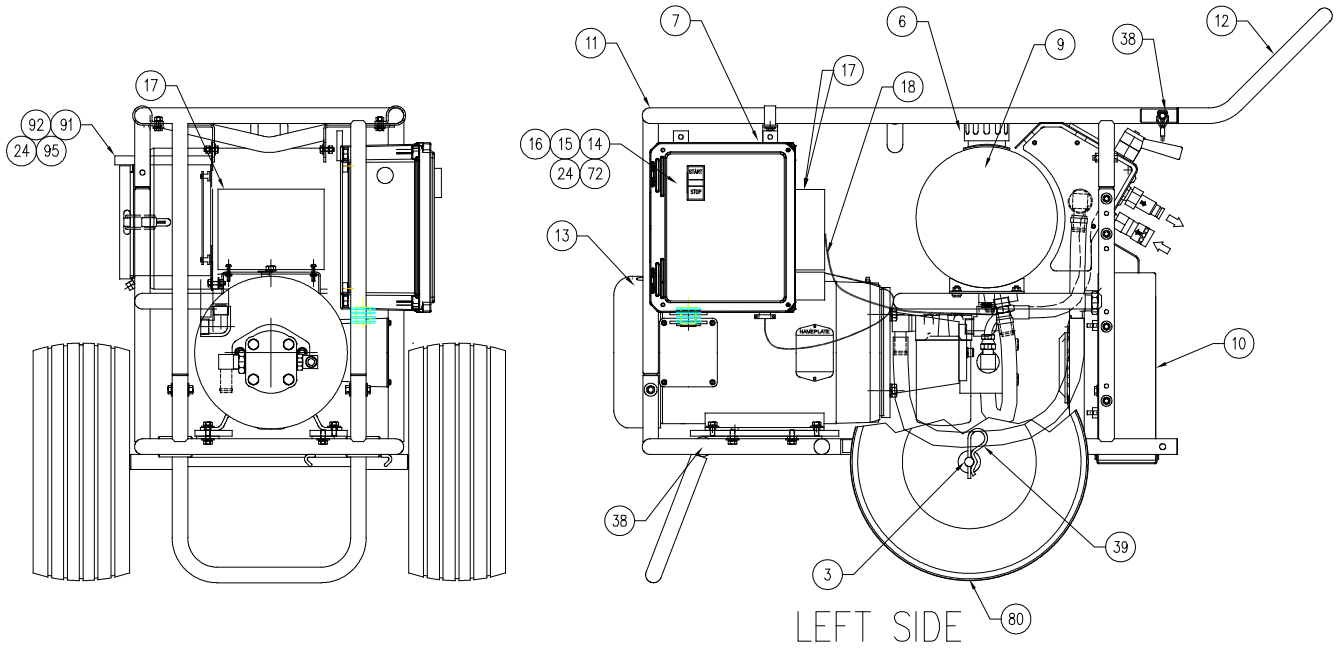


Figure 6-2.
HE1512 460V Assembly Drawing

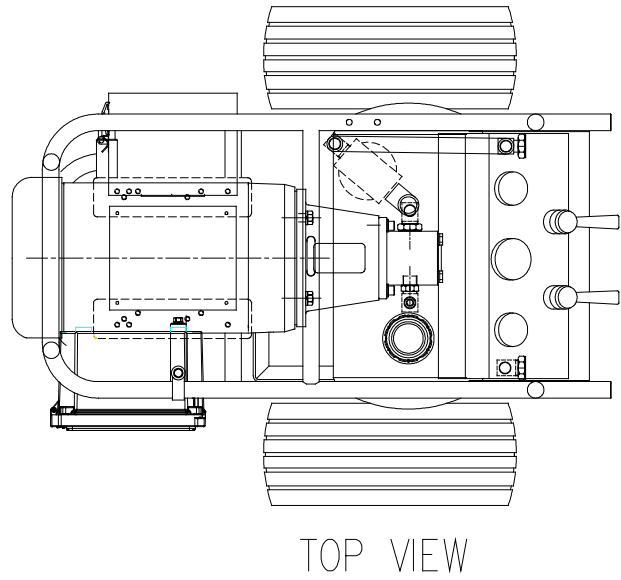
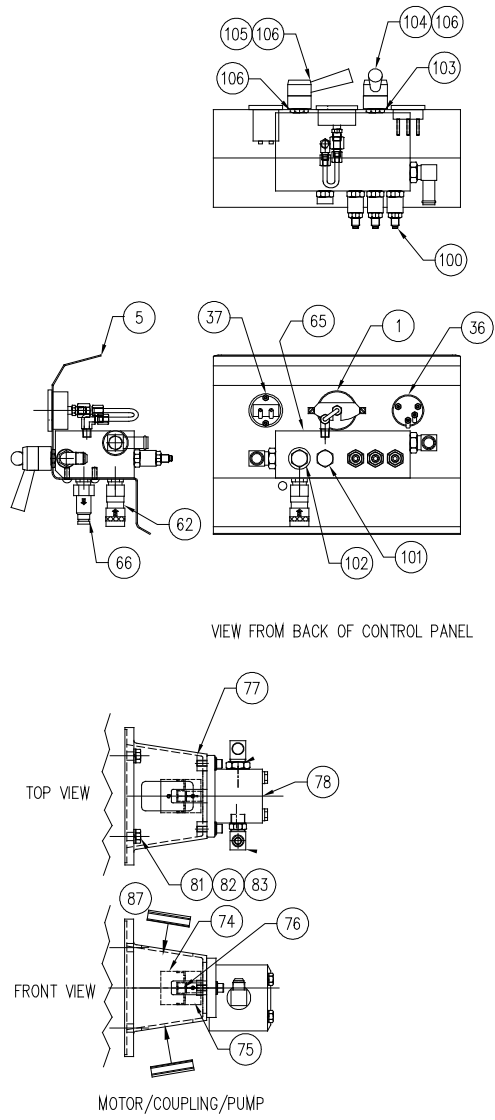


Figure 6-3.
HE1512 460V Assembly Drawing