



HE1512C ELECTRIC 208-230V HYDRAPAK INSTRUCTIONS (2014)

REIMANN & GEORGER CORPORATION
CONSTRUCTION PRODUCTS
P/N 6122043

BUFFALO, NY
2/4/15

6 PARTS LIST

The following parts list applies to the HE1512C HydraPak only. Each item number on this parts list can be matched with the item number shown on the Figure 6-1 assembly drawing.

Item Number	Part Number	Quantity	Description
1	2546004	1	MAIN FRAME
2	2565151	1	MOTOR 15 HP 230V
3	5425528	1	POWER SUPPLY 12VDC 156W (inside starter box)
4	5410182	2	FUSE 3 AMP FOR STARTER BOX
5	2510872	1	RESERVOIR
6	6000921	1	FILLER BREATHER CAP
7	6000908	1	SUCTION STRAINER ASSY
8	5800138	4	CLEVIS PIN ROUNDED SNAP
9	2546006	1	FRAME HANDLE
10	6001885	1	COUPLING 1/2" MALE
11	6001886	1	COUPLING 1/2" FEMALE
12	5401560	1	WIRE HARNESS
13	2514301	1	HEAT EXCHANGER ASSY
14	6010855	1	HEAT EXCHANGER CORE
15	5411513	1	FAN 12"
16	5800387	2	COTTER HAIR PIN
17	6901504	1	HYDRAULIC PUMP
18	6901502	1	PUMP COVER
19	6901503	1	PUMP BRACKET
20	2578240	1	HE STARTER BOX ASSY 15HP NEMA4X 220VAC
21	5701570	1	VOLT METER
22	5701972	1	PRESSURE GAGE
23	5701571	1	HOUR METER
24	6225423	1	CONTROL PANEL DECAL
24	2501540	1	CONTROL PANEL
25	7601523	2	TIRE AND RIM ASSY—WIDE
26	6004723	1	HYDRAULIC FILTER ELEMENT
28	6004722	1	HYDRAULIC FILTER HEAD
29	2501524	1	AXLE—WIDE TIRE
30	6725424	1	COUPLING HALF PUMP 3/4"
31	6704798	1	COUPLING INSERT
32	6700839	1	COUPLING HALF MOTOR 1-3/8"
33	6015308	3	RELIEF VALVE
34	6015306	1	PILOT LOGIC ELEMENT
35	6015305	1	CHECK VALVE
36&37	6085401	1	FLOW CONTROL VALVE & HANDLE ASSY 10 POSITION
38	6061132	2	HANDLE ONLY FOR 3 POSITION & 10 POSITION ASSY'S
39	6015304	1	PRESSURE CONTROL HANDLE ASSY 3 POSITION
40	6015303	1	PRESSURE CONTROL VALVE

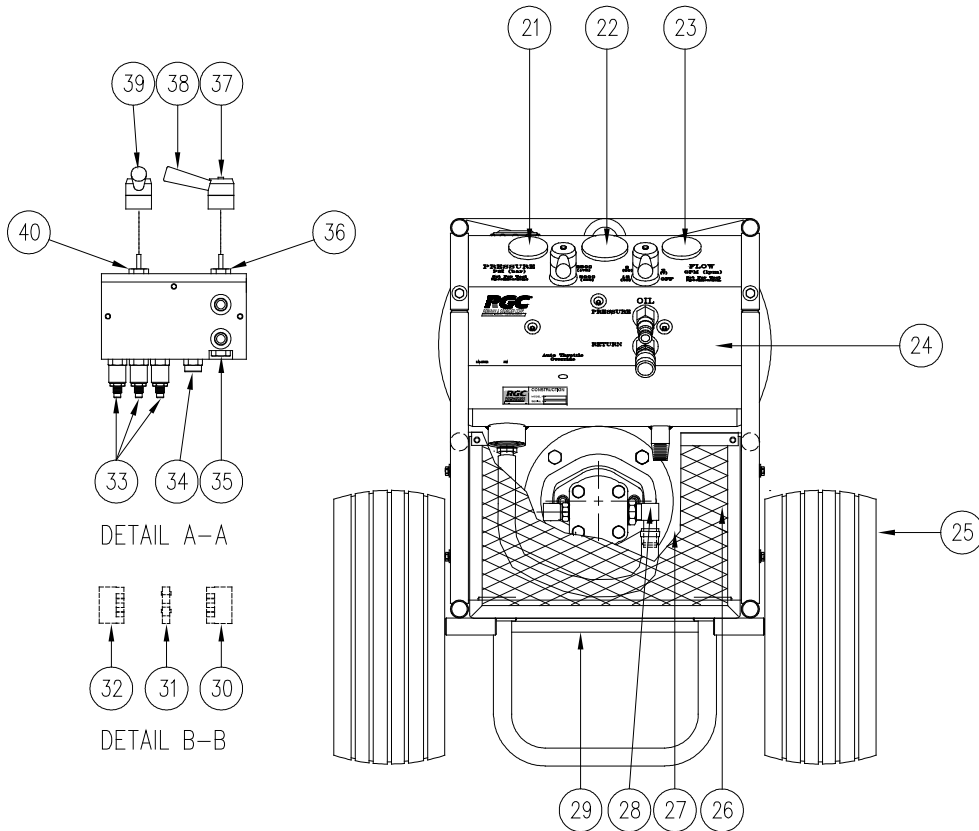
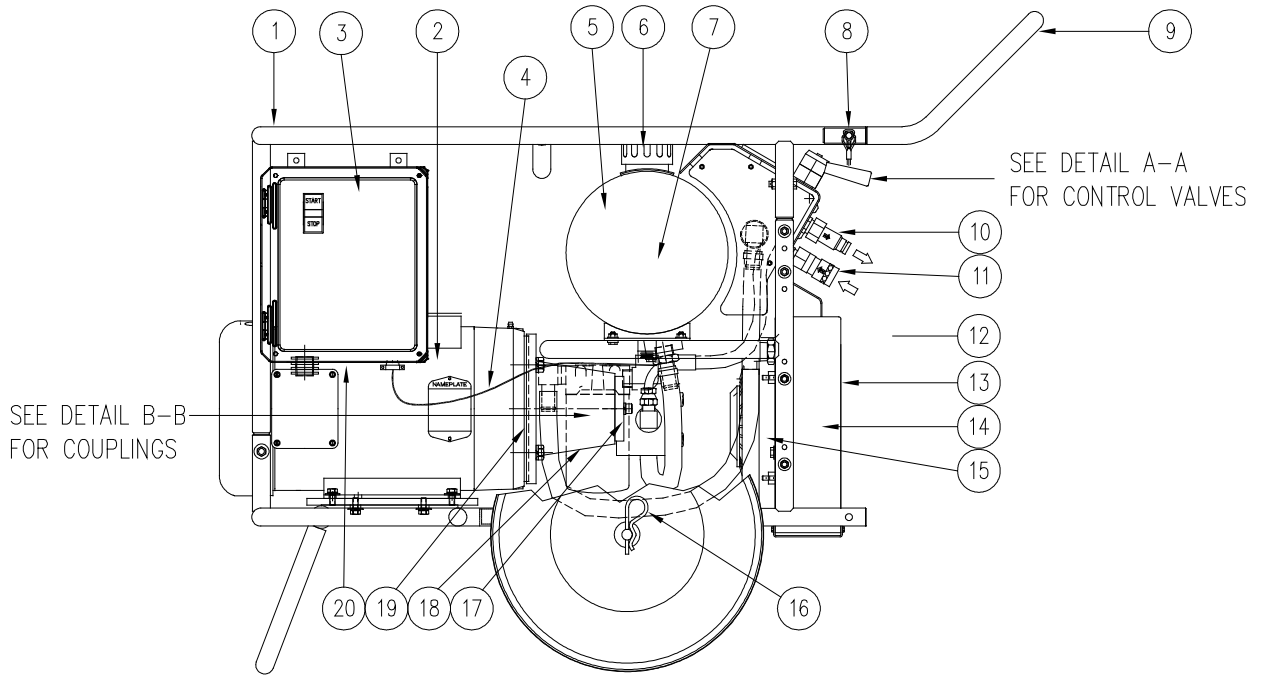


Figure 6-1.
HE1512 Assembly Drawing