



# HE1058C ELECTRIC HYDRAPAK 208-230V INSTRUCTIONS (2014)

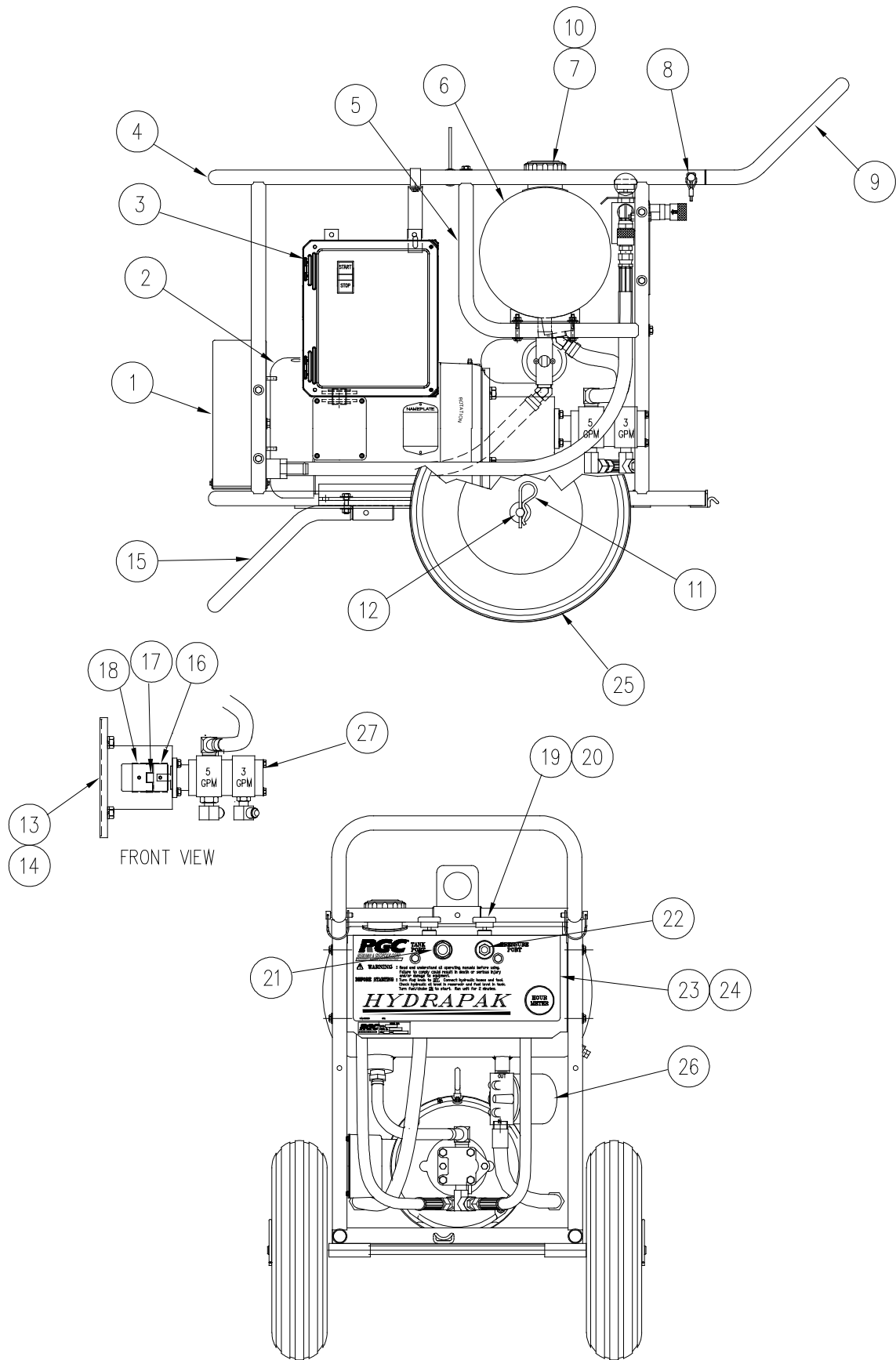
REIMANN & GEORGER CORPORATION  
CONSTRUCTION PRODUCTS  
P/N 6122038

BUFFALO, NY  
03/28/16

## 6 PARTS LIST

The following parts list applies to the HE1058C HydraPak only. Each item number on this parts list can be matched with the item number shown on the Figure 6-1 assembly drawing.

Item Number	Part Number	Quantity	Description
1	2504301	1	HEAT EXCHANGER WITHOUT FAN
2	2565162	1	MOTOR 10 HP 60HZ
3	2578235	1	HE STARTER BOX ASSY 10HP NEMA4X 220VAC
4	0545904	1	MAIN FRAME
5	0545906	2	RESERVOIR MOUNTING BRACKET
6	2510872	1	RESERVOIR
7	6000921	1	FILLER BREATHER CAP
8	5800138	5	ROUNDED SNAP CLEVIS PIN
9	2546006	1	FRAME HANDLE
10	6000908	1	SUCTION STRAINER
11	5800387	2	COTTER HAIR PIN
12	2504743	1	AXLE
13	6901502	2	PUMP ACCESS COVER
14	6900838	1	PUMP BRACKET
15	0503984	1	FRONT SUPPORT LEG W/ GRIP
16	6704795	1	PUMP COUPLING 1/2"
17	6704798	1	COUPLING INSERT
18	6700839	1	MOTOR COUPLING 1-3/8"
19	2510854	2	CONTROL KNOB (ONLY)
20	6085401	2	MANIFOLD CARTRIDGE W/ KNOB
	6000854	1	MANIFOLD ASSEMBLY (COMPLETE)
21	6001519	1	COUPLING 1/2" FEMALE
22	6001885	1	COUPLING 1/2" MALE
23	2514380	1	CONTROL PANEL
24	6205683	1	CONTROL PANEL DECAL
25	7600871	2	TIRE AND RIM ASSEMBLY
26	6004722	1	FILTER HEAD
26	6004723	1	FILTER ELEMENT
27	6950558	1	PUMP 5/8 GPM (PARKER)



**Figure 6-1.**  
**HE1058 Assembly Drawing**