



HE1010C ELECTRIC HYDRAPAK 460V INSTRUCTIONS

REIMANN & GEORGER CORPORATION
CONSTRUCTION PRODUCTS
P/N 6122054

BUFFALO, NY
04/28/16

6 PARTS LIST

The following parts list applies to the HE1010C HydraPak only. Each item number on this parts list can be matched with the item number shown on the Figure 6-1 assembly drawing.

2578137 HE1010 460V HYDRAPAK

Item Number	Part Number	Quantity	Description
1	1608261	1	HV180 PSI GAUGE KIT
3	2501524	1	AXLE—WIDE TIRE
5	2501540	1	CONTROL PANEL
6	6000921	1	FILLER BREATHER CAP
7	5436734	1	ENCLOSURE MOUNTING FOOT KIT
9	2510872	1	RESERVOIR
9A	6000908	1	SUCTION STRAINER ASSY
10	2514302	1	HEAT EXCHANGER ASSY
10A	6000855	1	HEAT EXCHANGER CORE
10B	5401513	1	FAN 10"
11	2546004	1	FRAME A SERIES -BLUE
12	2546006	1	FRAME HANDLE
13	2565162	1	MOTOR 10 HP 460V
14	5407500	1	WATER-TITE CABLE FITTING
15	5405105	1	ON/OFF SWITCH
16	5425602	1	RELAY
17	5425528	1	POWER SUPPLY 12VDC 13A (156W)
18	5401560	1	WIRE HARNESS
24	5410182	3	FUSE 3 AMP FOR POWER SUPPLY & ON/OFF SWITCH
36	5701570	1	VOLT METER
37	5701571	1	HOUR METER
38	5800138	4	CLEVIS PIN ROUNDED SNAP
39	5800387	2	COTTER HAIR PIN
62	6001519	1	COUPLING 1/2" FEMALE
63	6004722	1	HYDRAULIC FILTER HEAD
64	6004723	1	HYDRAULIC FILTER ELEMENT
65	6001530	1	MANIFOLD HV1810
66	6001885	1	COUPLING 1/2" MALE
69	6205684	1	CONTROL PANEL DECAL
72	2578255	1	HE STARTER BOX ASSY 10HP NEMA4X 460VAC
74	6700839	1	COUPLING HALF MOTOR 1-3/8"
75	6725421	1	COUPLING HALF PUMP 5/8"
76	6704798	1	COUPLING INSERT
77	6901503	1	PUMP BRACKET
78	6901510	1	HYDRAULIC PUMP
80	7601523	2	TIRE AND RIM ASSY—WIDE
87	6901502	1	PUMP COVER
91	5405103	1	ENCLOSURE NEMA4X
92	5405104	1	ENCLOSURE INNER PANEL
95	5425516	1	TRANSFORMER 460V PRI 115V SEC 350VA
100	6015308	3	RELIEF VALVE
101	6015306	1	PILOT LOGIC ELEMENT

102	6015305	1	CHECK VALVE
103	6085401	1	FLOW CONTROL VALVE & HANDLE ASSY 10 POSITION
104	6061132	2	HANDLE ONLY FOR 3 POSITION & 10 POSITION ASSY'S
105	6015304	1	PRESSURE CONTROL HANDLE ASSY 3 POSITION
106	6015303	1	PRESSURE CONTROL VALVE

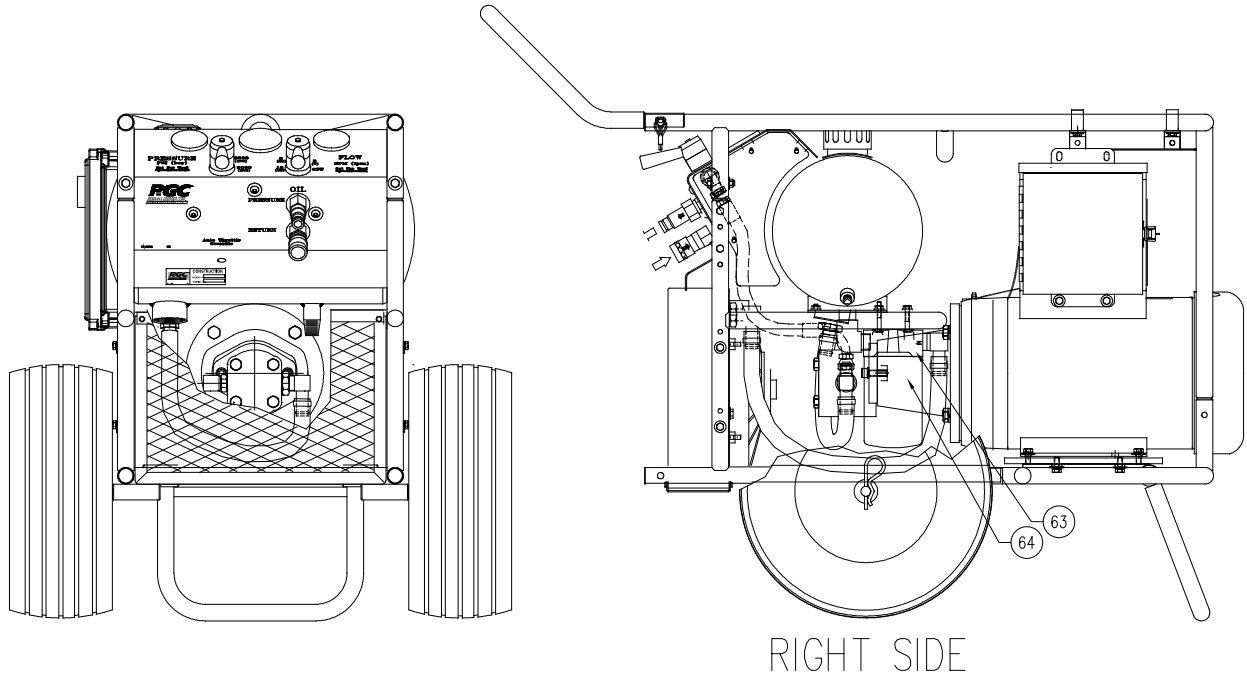


Figure 6-1.
HE1010 460V Assembly Drawing

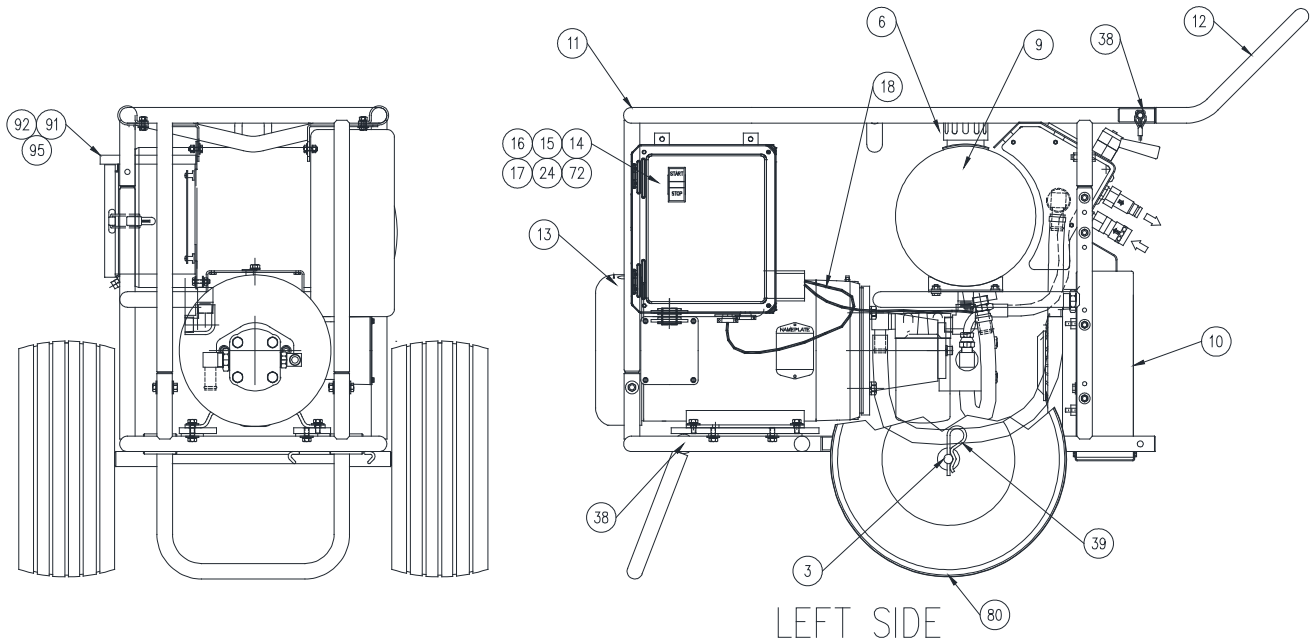
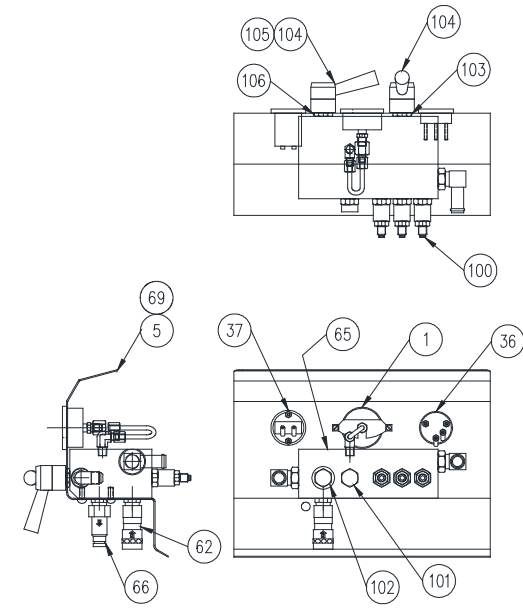
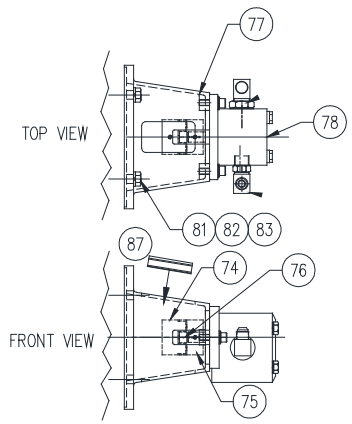


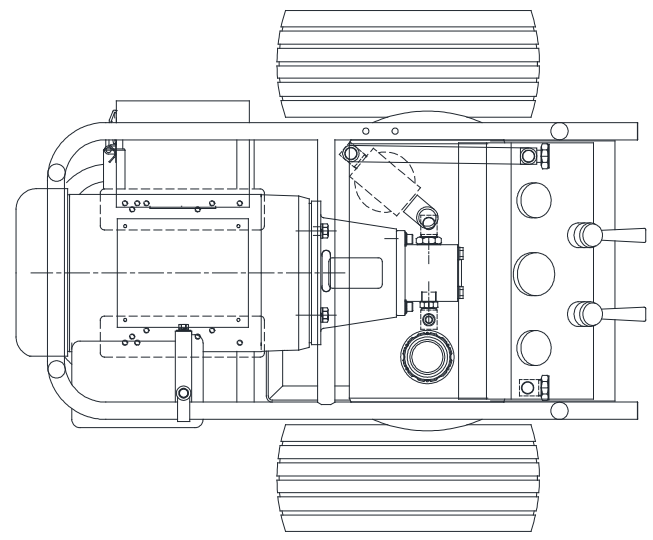
Figure 6-2.
HE1010 460V Assembly Drawing



VIEW FROM BACK OF CONTROL PANEL



MOTOR/COUPLING/PUMP



TOP VIEW

Figure 6-3.
HE1010 460V Assembly Drawing